

# **TranzSporter**

## **Platform Hoist Owners Manual**

**Updated: 10/19/18**

**TP250**  
**250 lb. Capacity**

**TP400**  
**400 lb. Capacity**

***For the Most Up to Date Information and  
Instructions, Visit the TranzSporter Web Site  
at [www.tranzsporter.com](http://www.tranzsporter.com).***

**CRITICAL SAFETY INFORMATION:** The greatest exposure to serious bodily injury and or death may occur when the TranzSporter track sections are located within 10 ft. (left or right or underneath) overhead electric power lines. If a minimum safe distance (10 ft.) from electrical wires cannot be maintained, contact the local utility company and have the electric wire deenergized and grounded or guarded effectively by insulating or other means.

A **COMPETENT PERSON** must be present during any set up, during any repositioning, and during any tear down operations of the Transporter track sections when the Transporter is to be located near electric power lines. A **COMPETENT PERSON** must read and understand the Owners Manual for set up, operating instructions, and tear down instructions in order to insure that all personnel authorized to set up, operate, and tear down the Transporter are made aware of **ALL SAFETY WARNINGS** as well as the operating instructions. **ALWAYS USE APPROVED ROOF TOP** fall protection when setting up, operating, and taking down the TranzSporter Hoist.

Instructions #08238 Rev. 10/19/18

E1399

**TIE DOWN**  
MANUFACTURING INGENUITY

404-344-0000 • [tiedown.com](http://tiedown.com)  
605 Stonehill Drive SW, Atlanta, GA 30336

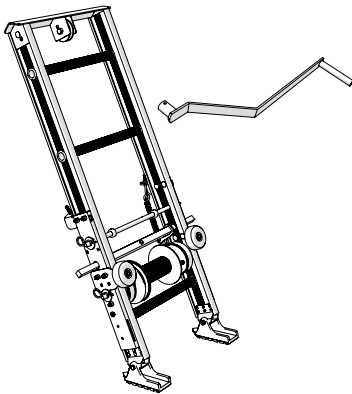
# Congratulations on your Purchase of the TranzSporter Lift Hoist.

The TranzSporter Lift Hoist was designed to provide safe and continuous operation.

## Features Include...

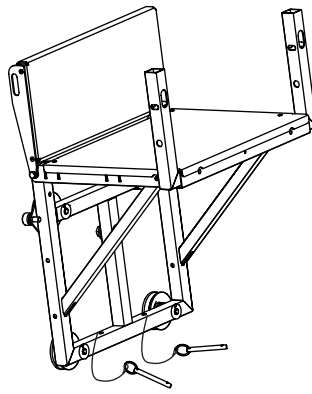
- Collapsible carriage comes with track cam followers for better tracking and handling.
- Aluminum deck and flap for lighter weight and longer life.
- Rolled goods/plywood brackets comes with unit and pins into carriage.
- Two safety nylon tie down straps for use with plywood/sheet panels.
- Motor base is manufactured using laser cut steel tubing for extra strength and durability.
- Belt guard and foot pedal are detailed with aluminum diamond plate.
- Dual versatile brake may be operated from either side of platform hoist.
- An additional handle may be used to engage the carriage instead of using the foot pedal (#48468 handle kit sold separately).
- A 4 ft. heavy duty aluminum base track utilizes laser cut steel tube support plates for job site toughness.
- Base track features large cast aluminum feet for added stability.
- Dual band brake system for smoother stops.
- Amber colored carriage bumpers to protect against damage and wear from repeated lowering (can be rotated).
- Oversized clip pins for fast and simple removal of quick change cable drum and belt replacement.

***Your new TranzSporter Lift Hoist is shipped in 3 boxes and one track section bundle***



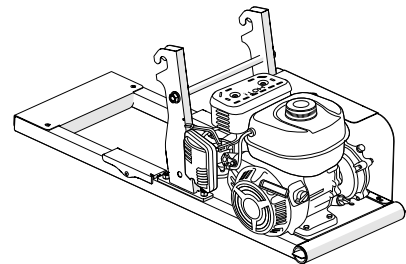
### **Base Section**

Includes: 4ft. Track Base, Cable Drum, Top Cap and Brake Handle.



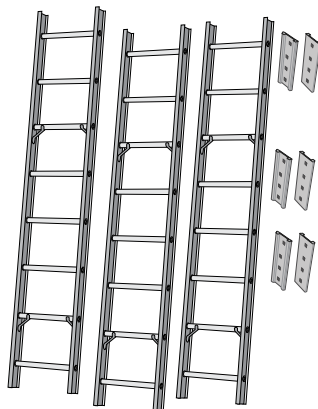
### **Carriage Base**

Includes: Collapsible Carriage and Plywood Attachments.



### **Engine/Motor Base**

Includes: Lifan, Honda engine or Electric motor, engine instructions, warranties and operation manual (in steel tube).



### **Track Sections**

Includes: 3 - 8ft. track sections, 6 splice plates and mounting hardware (installed).

## General Safety Instructions:

In order to set up and operate the Tranzporter ladder hoist safely in and around ELECTRIC POWER LINES and be compliant with OSHA Regulations 1926.416(a) , the following must be ascertained prior to setting up the Tranzporter each time for the Protection of Employees .

1926.416 (a)(1): No employer shall permit an employee to work in such proximity to any part of an electric power circuit that the employee could contact the electric power circuit in the course of work, unless the employee is protected against electric shock by deenergizing the circuit and grounding it or by guarding it efficiently by insulation or other means.

1926.416 (a)(3): Before work is begun the employer shall ascertain by inquiry or direct observation, or by instruments, whether any part of an energized electric power circuit, exposed or concealed, is so located that the performance of the work may bring any person, tool, or machine into physical or electrical contact with the electric power circuit. The employer shall post and maintain proper warning signs where such a circuit exists. The employer shall advise employees of the location of such lines, the hazards involved, and the protection to be taken.

1926.502 (a) (2): Employers shall provide and install all fall protection systems required by this subpart for an employee, and shall comply with all other pertinent requirements of this subpart before the employee begins the work that necessitates the fall protection.

THE FOLLOWING VIDEO LINKS SHOULD BE THOROUGHLY REVIEWED AND UNDERSTOOD PRIOR TO SETTING UP AND OPERATING, DISMANTELING THE TRANZSPORTER LADDER HOIST

TranzSporter Collapsible Carriage Platform Hoist:

<https://www.youtube.com/watch?v=-jF4uT0YcB4>

OSHA Hazards: Fall Protection:

WxTV will set its sights on the number one cause of fatalities on the job site, falls, and what OSHA requirements you need to know to protect yourself. Tune in to get the goods on the gear to stay safe and alive.

<https://www.youtube.com/watch?v=z62qFhfT3a4>

OSHA: Fall Protection Training:

<https://www.youtube.com/watch?v=I4XW926vpkA>

OSHA Stairway and Ladder Safety Quiz 2 (15 Questions With Fully Answers):

<https://www.youtube.com/watch?v=Pj4t7QpQXqs>

Standing on the Edge

This video graphically shows how workplace injuries and fatalities can be shocking and life-changing.

<https://www.youtube.com/watch?v=C4S0rAZypzY>

## **WARNING:**

- **DO NOT OPERATE THIS EQUIPMENT IF ANY UNSAFE CONDITIONS EXIST OR OCCUR DURING OPERATION.**
- **KEEP TRACK SECTIONS MINIMUM 10 FT. CLEAR OF ALL ELECTRICAL WIRES AND EQUIPMENT.**
- **BE AWARE OF OVERHEAD OBJECTS.**
- **NEVER USE TRACK SECTIONS AS A LADDER.**
- **NEVER OPERATE HOIST WITH A HUMAN ON PLATFORM.**
- **NEVER STAND UNDER PLATFORM WHEN LOWERING.**
- **NEVER USE INDOORS OR IN AN AREA WITH POOR VENTILATION (ELECTRIC MODEL IS EXCLUDED).**
- **NEVER USE HOIST TO LOWER MATERIAL.**
- **ALWAYS USE APPROVED ROOF TOP FALL PROTECTION WHEN SETTING UP, OPERATING, AND TAKING DOWN THE TRANZSPORTER HOIST.**

## **User Responsibilities**

**PERFORM THE FOLLOWING AT THE START AND END OF THE WORK DAY AND AFTER 4 HOURS OF OPERATION DURING THE DAY:**

- Check oil level in engine and fill according to manufacturer's specifications.
- Check cable for smooth operation and for signs of wear.
- Check for loose bolts and tighten according to specifications.
- Check track sections and all other moving parts for excessive wear or fatigue.
- Check general condition of equipment.
- Check and confirm operator's understanding of the proper operation for this equipment.
- When using the electric motor; check extension cords and connections for wear or damage.
- Check brake parts regularly for wear or damage.
- Check cable drum bearings, they should run smoothly when the brake is released. If there is any noise or if the cable drum does not spin freely, replace drum bearings immediately.
- Check for minimal clearance between outer track cam followers.

## **General Safety Instructions:**

1. Transport and handle your TranzSporter Hoist with care.
2. Unpack the TranzSporter carefully and inspect for any damage that may occur during transportation.  
***DO NOT USE THE HOIST IF ANY PART IS DAMAGED.***
3. Please observe all safety and warning labels attached to the hoist.
4. Use only replacement parts furnished by the manufacturer.
5. Always keep the area around the base section of the TranzSporter Hoist clear to help prevent slipping, tripping or falling against the hoist.
6. ***DO NOT ALLOW ANYONE TO OPERATE THE TRANZSPORTER HOIST WHO HAS NOT BEEN THOROUGHLY AND PROPERLY TRAINED IN THE CORRECT OPERATION AND USE OF THIS HOIST.***
7. This hoist is manufactured to lift materials only. Do not use the TranzSporter Hoist for the purpose of transporting personnel from one level to another.
8. Do not climb the TP-Series hoist or use as a personnel ladder.
9. ***DO NOT OVERLOAD:***
  - Maximum lifting capacity for the TP250 is 250 lbs. with a load capacity of 230 lbs.**
  - Maximum lifting capacity for the TP400 is 400 lbs. with a load capacity of 380 lbs.**
10. Keep hands, feet and other body parts as well as clothing away from the track sections and moving or rotating parts of the TranzSporter Hoist when starting the engine or when operating the hoist.
11. Do not allow any persons to walk or work under or near the TranzSporter Hoist while in operation.
12. Do not use this hoist to transport hot asphalt or any other hot molten substance from one elevation to another.



## General Safety Instructions (Continued):

13. Store all parts of the TranzSporter Hoist in such a fashion as not to damage any of the components.
14. Do not operate indoors or in an area with poor ventilation. Electric motor model is excluded.
15. Never lift sheet or panel goods without the use of the plywood brackets and the tie down straps provided (See page 17).

**CAUTION:** Please read the safety warnings and Instructions contained in this manual before operating the lift hoist. Failure to obey the warnings contained herein could result in damage to the equipment, personal injury, or death, this information should not be a substitute for routine accident prevention, but rather an addition to routine accident prevention.

Warning labels are attached to the TP250/400 and are weather resistant. If you notice any of these decal's missing from your hoist, please contact TIE DOWN ENGINEERING for a replacement label.

**Instructions Inside Tube**  
(Remove Red End Cap to Read)

⚠ **WARNING** ⚠ **WARNING** ⚠ **WARNING** ⚠

**FAILURE TO READ AND UNDERSTAND THE OPERATING INSTRUCTIONS CAN RESULT IN PROPERTY DAMAGE, PERSONAL INJURY OR EVEN DEATH TO USER OR OTHERS**

**⚠ WARNING ⚠**

**Electrical Overhead Wires Kill!**

Always look left and right for all overhead electrical wires during set up and take down.

**⚠ WARNING ⚠**

**Electrical Overhead Wires Kill!**

Look for overhead electrical wires during set up and take down of the track sections. Always maintain minimum 10 ft. safe distance, front to back, left to right, and underneath electric wires.

**⚠ IMPORTANT SAFETY INFORMATION ⚠**

- TOP OF HOIST MUST BE SECURED TO ROOF USING "S" HOOKS (PROVIDED) AND TWO LENGTHS OF ROPE (NOT PROVIDED)
- BRAKE TENSION SPRINGS MUST BE CHECKED FOR CORRECT TENSIONING DAILY (BEFORE USE) IN ORDER TO PREVENT LOAD SLIPPAGE
- KEEP BRAKE DRUMS AND BRAKE SHOES FREE OF OIL, LUBRICANTS, AND EXCESSIVE MOISTURE, CHECK FOR DAILY WEAR AND REPLACE WHEN NECESSARY
- DO NOT OPERATE THIS UNIT IF ANY COMPONENT PARTS EXHIBIT DAMAGE OR WEAR. THIS INCLUDES ALL TRACK SECTIONS

**DO NOT REMOVE THIS TAG!**

**⚠ WARNING ⚠**

**Electrical Overhead Wires Kill!**

Look for and locate all overhead electrical wires before handling or moving track sections during assembly and tear down.

Always maintain minimum 10 ft. safe distance, front to back, left to right, and underneath electric wires.

**ALWAYS BE AWARE**

If a minimum safe distance (10 ft.) from electrical wires cannot be maintained, contact the local utility company and have the electric wires deenergized and grounded or guarded effectively by insulation or other means.

**⚠ WARNING ⚠**

**SHOCK HAZARD**

KEEP ENTIRE LIFT HOIST CLEAR OF ALL UTILITY AND ELECTRICAL WIRING!

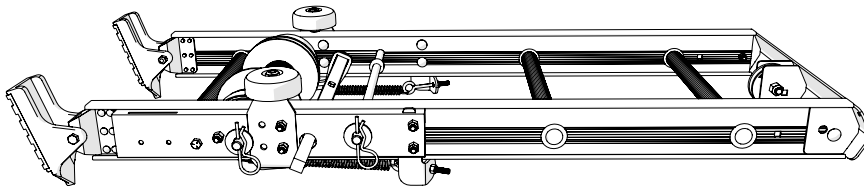
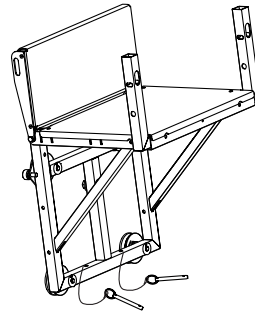
**DO NOT REMOVE THIS TAG!**

# Assembly Instructions for the TP250 Hoist

## Instructions for the TP400 Hoist skip to page 8

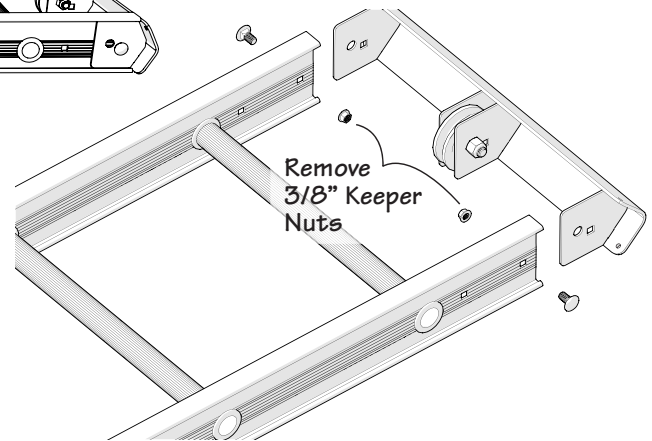
### Step 1

If you have not already assembled the carriage assembly, **Stop Now. You must first assemble the carriage,** follow the assembly instructions included in the #2 Box - "Collapsible Carriage & Plywood Attachments".



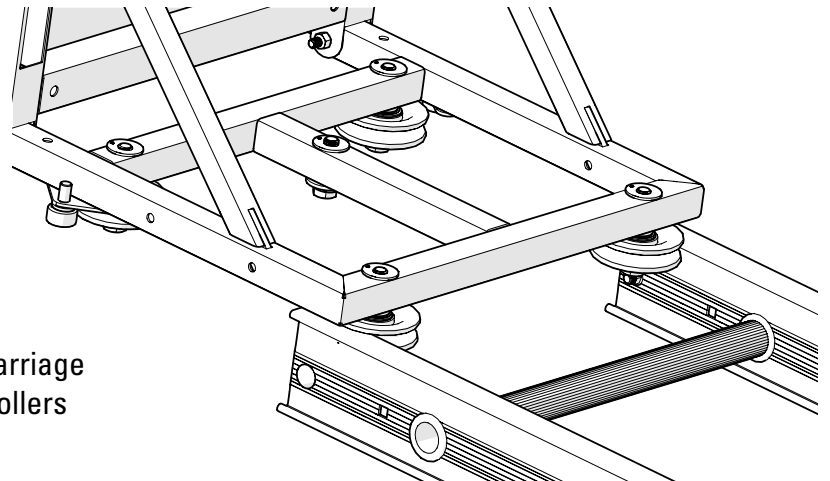
### Step 2

Remove base section from its box and place on a clean floor or assembly area. Remove the top cap with a 7/16" wrench (one bolt/nut on each side).



### Step 3

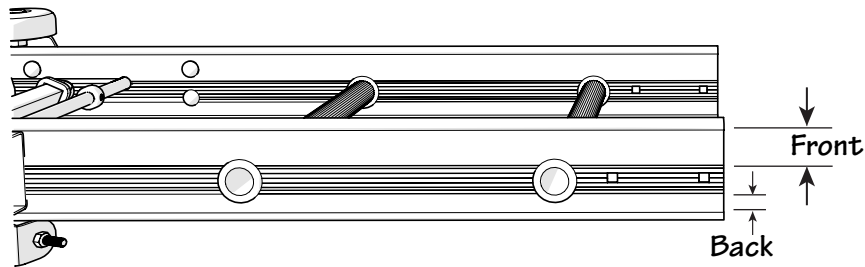
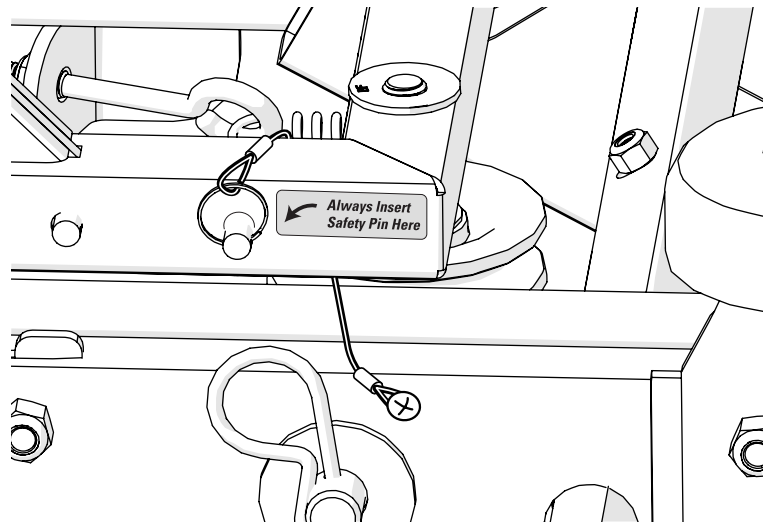
Starting at the top of the track section slide carriage assembly onto track section so that the four rollers connect to the top rail of the track section.



#### Step 4

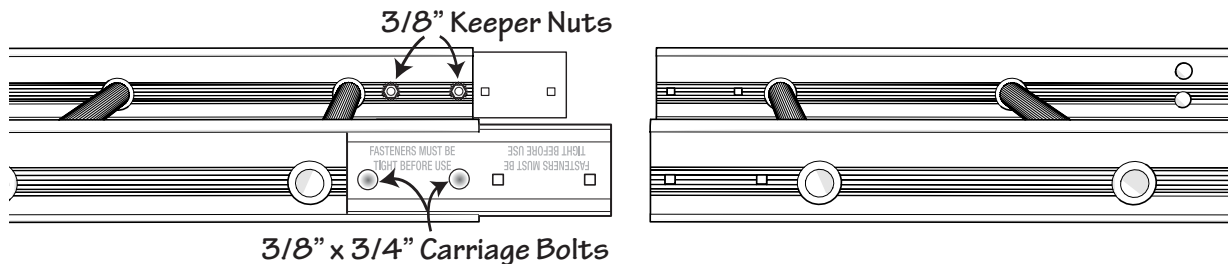
“Roll” carriage assembly onto the base. At this time lock the base in place using the Safety Pin as shown. Be sure to loop the lanyard over the carriage base as shown.

**Important: Always check for wear or damage to the safety pin cable/pull ring assembly. Failure to replace damaged safety pin cable assembly may cause damage or personal injury.**



#### Step 5

Lay one track section on a flat floor with the “front” side up. This is determined by the space between the track cross bar and the track section edge as shown above.



#### Step 6

Attach splice plates to the bottom section of the track. Splice plates are mounted on the outside track section. Slide the top section track into the grooves on the inside track section, attach with 2 nuts and bolts per side (See above). Ensure bolts and nuts are torqued to 30 ft.-lbs.

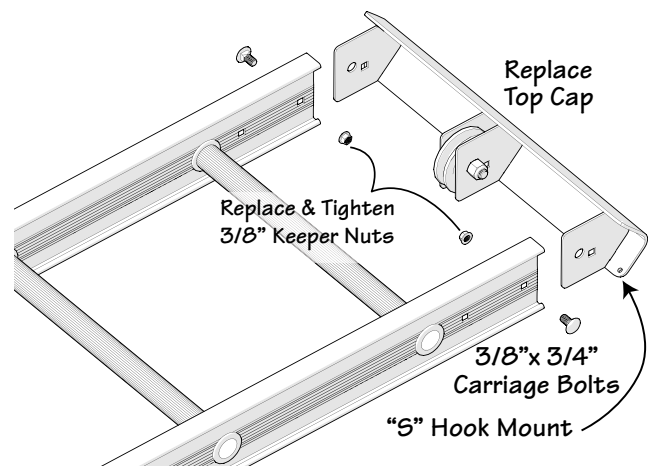
**NOTE: DO NOT SUBSTITUTE NUTS AND BOLTS**

Use 3/8”x 3/4” carriage bolts and 3/8” keeper nuts (lock washer and nut combined).

#### Step 7

Reattach the top cap to the end of the last section of track section you intend to use. Assemble with two 3/8”x 3/4” carriage bolts with keeper nuts provided. Make sure that the top cap end slides into the outside of the track section (shown right). Ensure bolts and nuts are torqued to 30 ft.-lbs.

**Important: Make sure the mounting hole for the “S” hook is located on the back of the hoist assembly.**

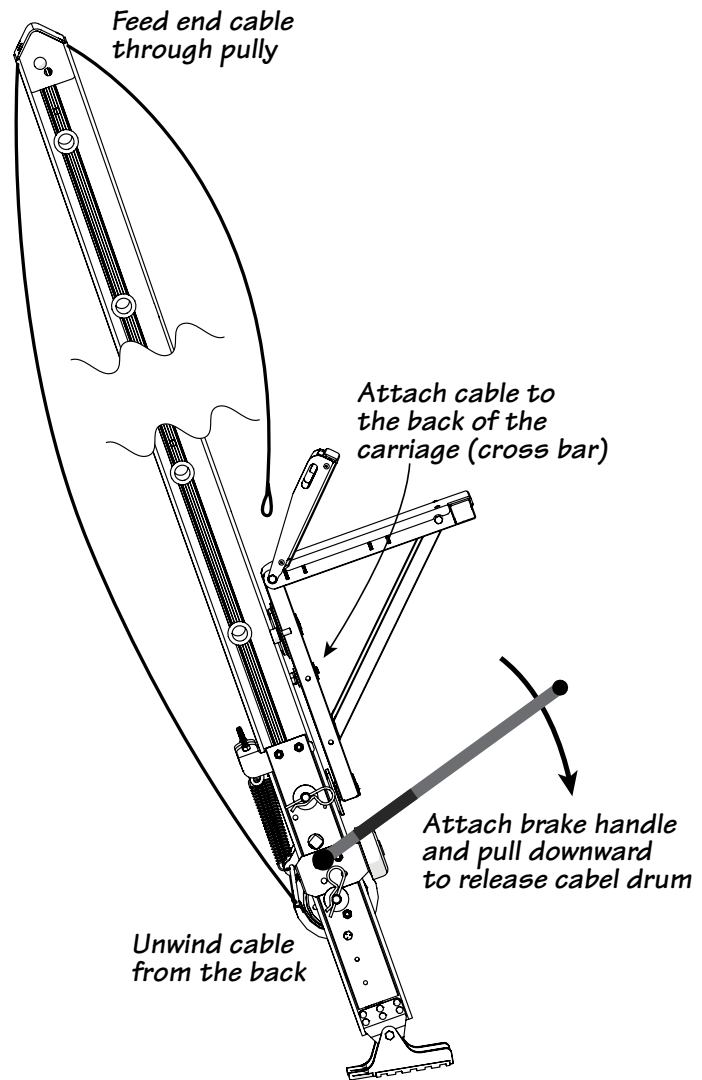


### Step 8

Turn the hoist on its side, and working from the back, remove the end of the cable from the drum (shown right). **It helps to attach the brake handle, use the brake handle to release the brake drum.** The cable will then easily un-spool. Staying on the outside (back) of the base section and track section, take the cable to the top of the last track section where the top cap pulley is attached.

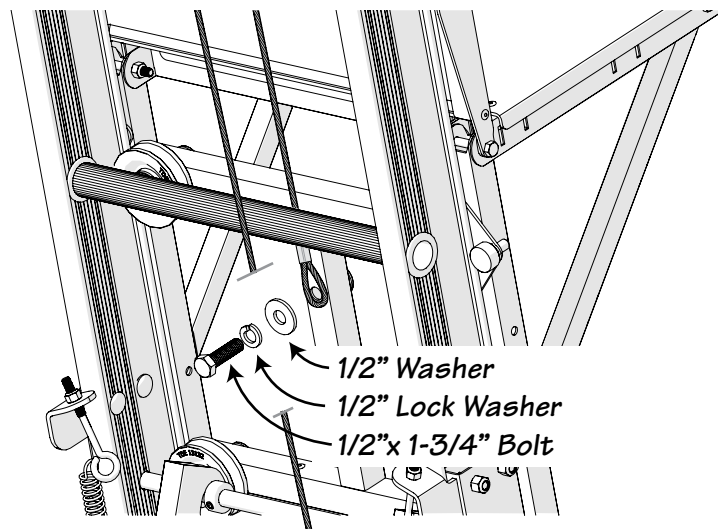
### Step 9

Feed the cable end through the pulley as shown above, and down the front side of the track section to the back of the carriage assembly.



### Step 10

Attach cable to the carriage assembly, pass bolt through lock washer, washer and cable end/eye. Tighten bolt as shown right.



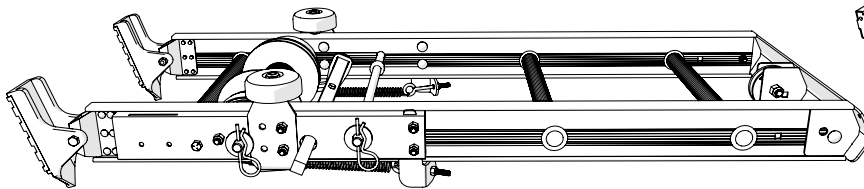
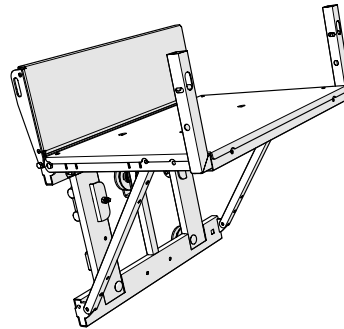
**You have completed the assembly of the TP250 Hoist  
Skip to page 11 for Operation and Placement Instructions.**

# Assembly Instructions for the TP400 Hoist

Congratulations on purchasing the TranzSporter TP400 Hoist. Please read the following instructions completely before starting assembly.

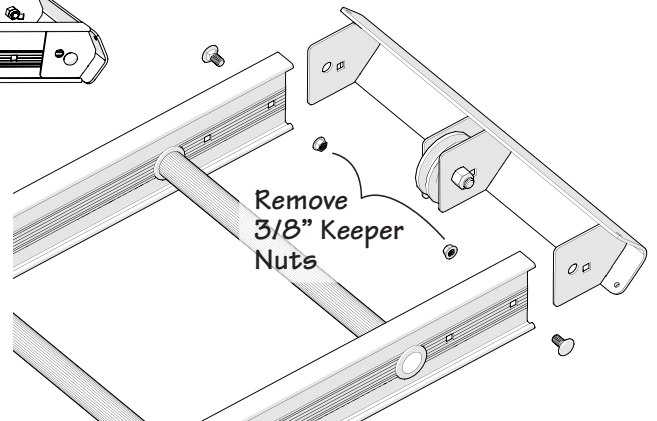
## Step 1

If you have not already assembled the carriage assembly, **Stop Now. You must first assemble the carriage,** follow the assembly instructions included in the #2 Box - "Collapsible Carriage & Plywood Attachments".



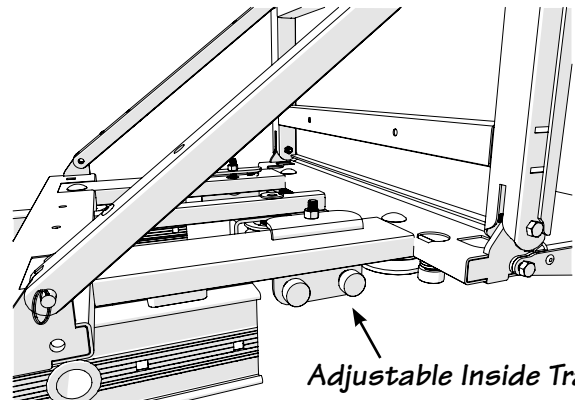
## Step 2

Remove base section from its box and place on a clean floor or assembly area. Remove the top cap with a 7/16" wrench (one bolt/nut on each side).



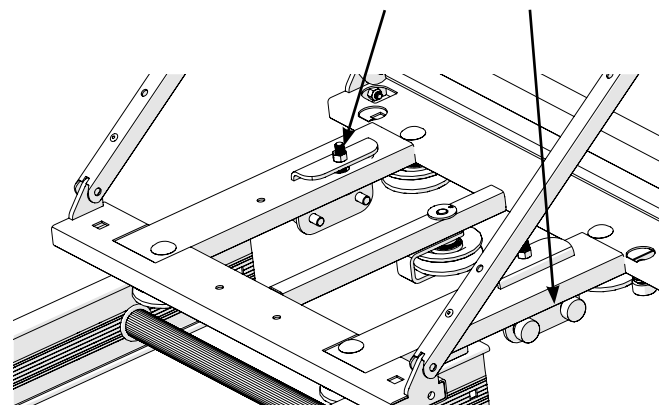
## Step 3

Starting at the top of the track section slide carriage assembly onto track section so that the four rollers connect to the top rail of the track section.



## Step 4

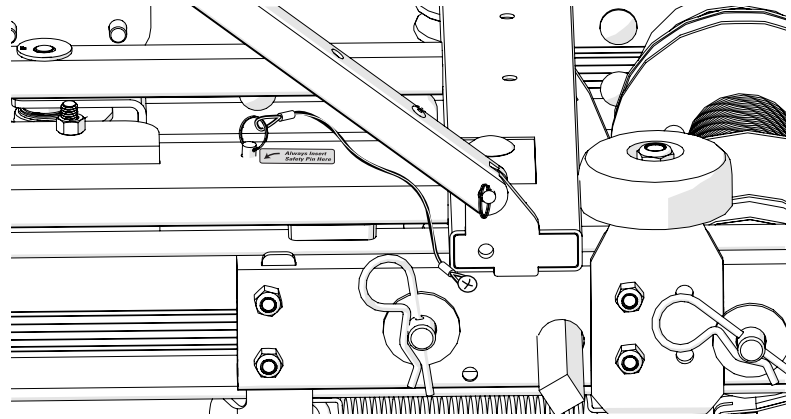
Adjust Tension Bracket - Make sure the TP400 carriage rollers are on track, and the carriage rolls easily. There are two adjustable track roller guides on the inside carriage assembly (see right). Turn the nut clockwise/counter clockwise the adjust the tension (free play) between the carriage and the tracks. If the carriage moves too much in and out, tighten the adjustable tension bracket nut. Correct adjustment should allow for minimal contact between the carriage and the tracks





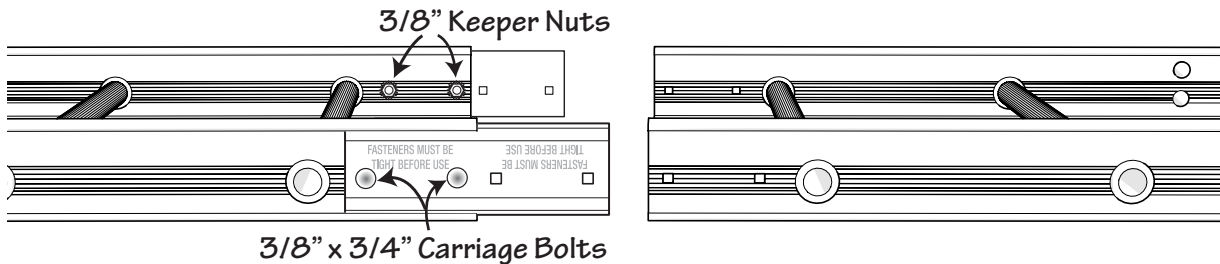
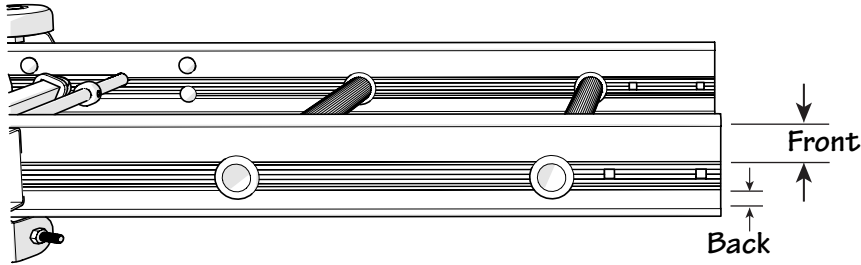
### Step 5

“Roll” carriage assembly onto the base. At this time lock the base in place using the Safety Pin as shown. Important: Always check for wear or damage to the safety pin cable/pull ring assembly. Failure to replace damaged safety pin cable assembly may cause damage or personal injury.



### Step 6

Lay one track section on a flat floor with the “front” side up. This is determined by the space between the track cross bar and the track section edge as shown above.



### Step 7

Attach splice plates to the bottom section of the track. Splice plates are mounted on the outside track section. Slide the top section track into the grooves on the inside track section, attach with 2 nuts and bolts per side (shown above). Ensure bolts and nuts are torqued to 30 ft.-lbs.

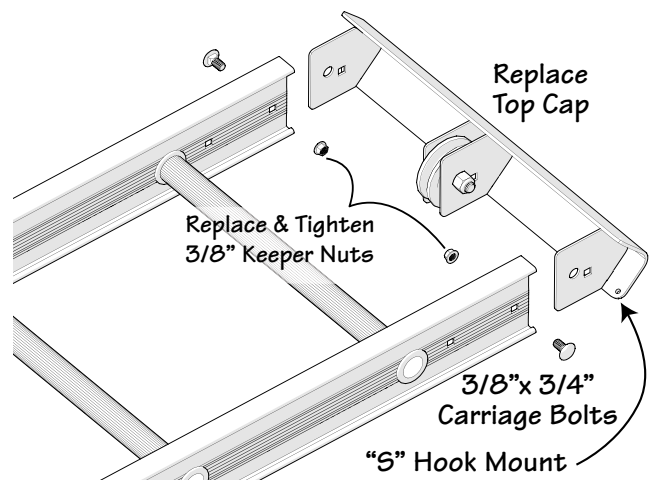
#### **NOTE: DO NOT SUBSTITUTE NUTS AND BOLTS**

Use 3/8” x 3/4” carriage bolts and 3/8” keeper nuts (lock washer and nut combined).

### Step 8

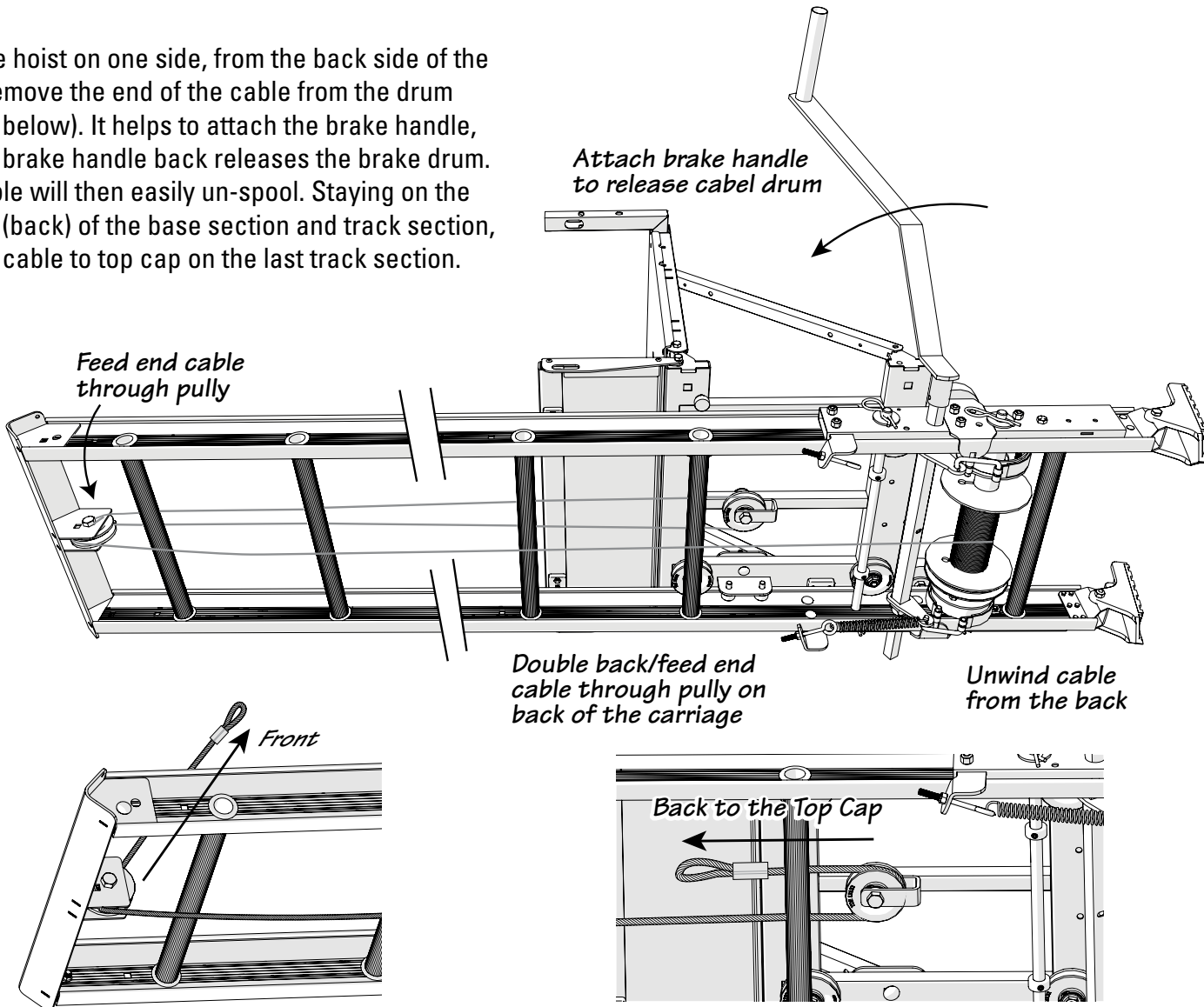
Reattach the top cap to the end of the last section of track section you intend to use. Assemble with two 3/8” x 3/4” carriage bolts with keeper nuts provided. Make sure that the top cap end slides into the outside of the track section (shown right). Ensure bolts and nuts are torqued to 30 ft.-lbs.

**Important: Make sure the mounting hole for the “S” hook is located on the back of the hoist assembly.**



### Step 9

Turn the hoist on one side, from the back side of the hoist, remove the end of the cable from the drum (shown below). It helps to attach the brake handle, use the brake handle back releases the brake drum. The cable will then easily un-spool. Staying on the outside (back) of the base section and track section, pull the cable to top cap on the last track section.



### Step 10

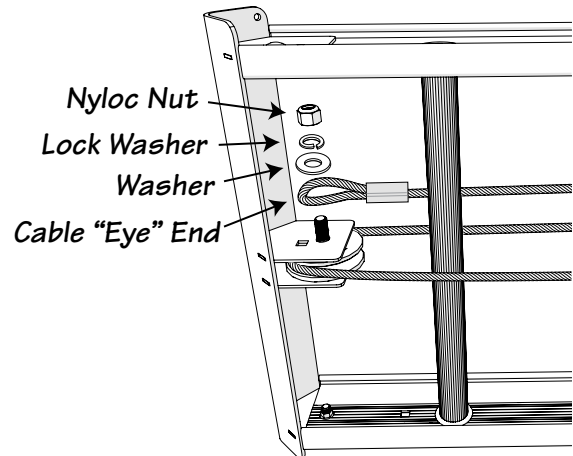
Feed the cable end through the pulley from the back as shown above, return the cable to the back side of the carriage.

### Step 11

Feed the cable end through the pulley on back of TP400 carriage. Return the cable end to the top cap.

### Step 12

Remove the nyloc nut/washer/lock washer, from the top cap assembly, place the eye end over the bolt, replace the washer/lock washer and tighten the nyloc nut as shown right.



**You Have Completed the TP 400 Carriage Assembly**

# Raising and Lowering the Track Section Assembly

**WARNING: KEEP TRACK SECTIONS MINIMUM 10 FT. CLEAR OF ALL ELECTRICAL WIRES AND EQUIPMENT. BE AWARE OF OVERHEAD WIRES BEFORE RAISING TRACK SECTIONS. ELECTRICITY KILLS!**

The hoist assembly is extremely top heavy and must be kept under control at all times. Two alternate methods are suggested for raising the platform hoist to the operating position. **ALWAYS USE APPROVED ROOF TOP FALL PROTECTION** when setting up, operating, and taking down the Tranzsporter Hoist.



## Procedure "A"

*This procedure requires two or preferably three men.*

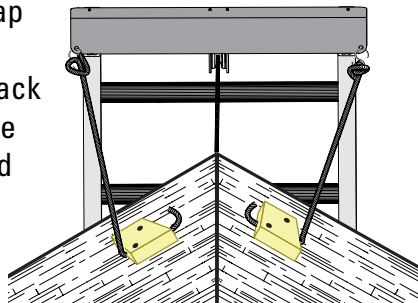
1. Lay the assembled track sections with the platform attached parallel to the building wall that is to support the hoist.
2. Tie a rope to the head bracket and have the man on roof pull up the hoist while the other man on the ground braces the shoes on the bottom base section to prevent slippage of the hoist shoes. The third man on the ground may aid in erecting by "walking" the hoist up hand over hand by the rungs.
3. When the hoist reaches a vertical position, carefully turn the hoist 90 degrees with the platform pointing away from the building. Move the bottom of the hoist away from the building 1/4 of the height of the building where the top of the hoist is to be supported. Make allowances for overhang. **See page 13 for track section chart for approximate distances of the base from the building.**
4. Tie the track section to the roof with a rope fastened to a cross tie on the top bracket to prevent slippage of the track section. See below. **DO NOT TIE ROPE TO THE RAILS - THIS WILL PREVENT THE PLATFORM FROM OPERATING PROPERLY.**
5. Make certain the shoes on the steel bottom section are firmly resting on level ground. This will help to prevent track section slippage or uneven loading of the track section which could cause damage or injury to personnel and/or to equipment.



## Secure the Top Cap

### Option 1 Low Top Cap

Attach the "S" hooks included with the top cap hardware. Place in mousing holes on the back of the top cap. Tie off the "S" hooks with rope and secure with cross tie.

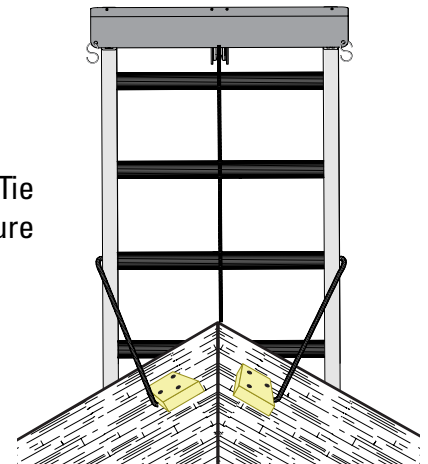


### Option 2 High Top Cap

Pass rope through the track section rungs. Tie off the rope and secure with cross tie.

### Option 3

Ladder and Hoist Anchor Kit #13809





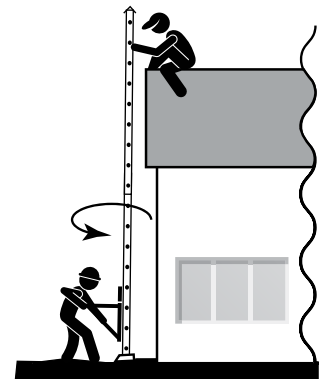
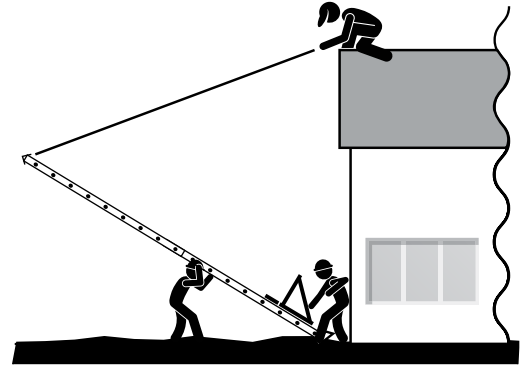
# Raising and Lowering the Track Section Assembly

**WARNING: KEEP TRACK SECTIONS MINIMUM 10 FT. CLEAR OF ALL ELECTRICAL WIRES AND EQUIPMENT. BE AWARE OF OVERHEAD WIRES BEFORE RAISING TRACK SECTIONS. ELECTRICITY KILLS! ALWAYS USE APPROVED ROOF TOP FALL PROTECTION** when setting up, operating, and taking down the Tranzporter Hoist.

## Procedure "B"

**This procedure requires two or preferably three men.**

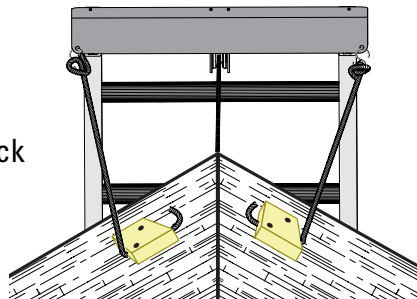
1. Place track section assembly perpendicular to the building with the bottom shoes of the steel bottom section resting against the building to prevent slipping.
2. Tie a rope to the top bracket and have the man on the roof pull up the hoist while the other man on the ground braces the shoes on the steel bottom base section to prevent slippage of the hoist shoes. The third man on the ground may aid in erecting by "walking" the hoist up hand over hand by the rungs.
3. When the hoist reaches a vertical position, carefully turn the hoist 180 degrees with the platform pointing away from the building.
4. Move the bottom of the hoist away from the building 1/4 of the height of the building where the top of the hoist is to be supported. Angle of track sections from building should be between 18 and 20 degrees. Make allowances for an overhang. **See page 14 for track section chart for approximate distances of the base from the building.**
5. Tie the track section to the roof with a rope fastened to a cross tie on the top bracket to prevent slippage of the track section. See below. **DO NOT TIE ROPE TO THE RAILS - THIS WILL PREVENT THE PLATFORM FROM OPERATING PROPERLY.**
6. Make certain the shoes on the steel bottom section are firmly resting on level ground. This will help to prevent track section slippage or uneven loading of the track section which could cause damage or injury to personnel and/or to equipment.



## Secure the Top Cap

### Option 1 Low Top Cap

Attach the "S" hooks included with the top cap hardware. Place in mounting holes on the back of the top cap. Tie off the "S" hooks with rope and secure with cross tie.

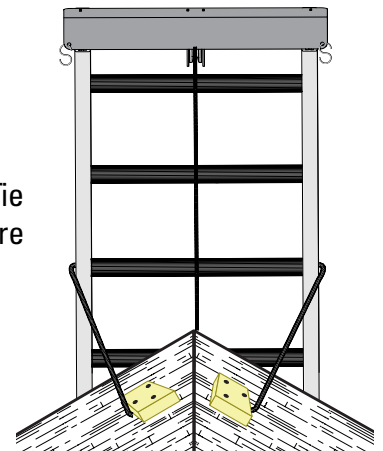


### Option 2 High Top Cap

Pass rope through the track section rungs. Tie off the rope and secure with cross tie.

### Option 3

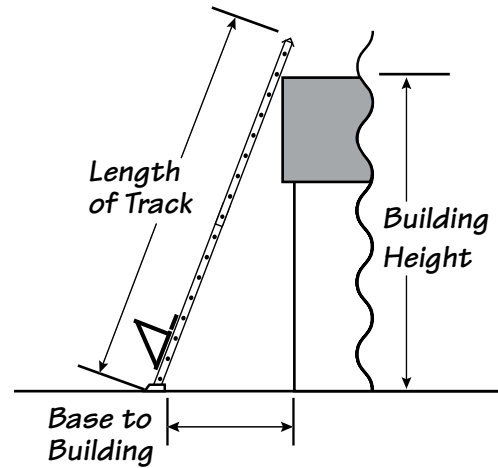
Ladder and Hoist Anchor Kit #13809



# Hoist Placement and Operational Instructions

## Track Section Chart: Brace Support and Proper Set Up Distance at Job Site

This table provides the suggested information for the distance of the bottom track from the building and the location of the track support for various conditions. Track lengths in excess of 28 feet require the use of the telescoping brace (#60005).



Building Height	Length of Track	Base To Building	Track Brace Location Cross Tie from Bottom
12'	16'	4'-6"	Not Required
16'	20'	5'-0"	Not Required
20'	24'	6'-6"	Not Required
24'	28'	6'-6"	Not Required
28'	32'	7'-6"	11th and 13th
32'	36'	8'-0"	14th and 16th
36'	40'	9'-0"	19th and 21st
40'	44'	10'-0"	26th and 25th
42'	44'(max)	10'-6"	25th and 27th

**⚠ WARNING ⚠**

**Electrical Overhead Wires Kill!**

Look for and locate all overhead electrical wires before handling or moving track sections during assembly and tear down.

Always maintain minimum 10 ft. safe distance, front to back, left to right, and underneath electric wires.

**ALWAYS WORK AWAY**

**BE SAFE**

If a minimum safe distance (10 ft.) from electrical wires cannot be maintained, contact the local utility company and have the electric wires deenergized and grounded or guarded effectively by insulation or other means.

**⚠ WARNING ⚠**

**SHOCK HAZARD**

KEEP ENTIRE LIFT HOIST CLEAR OF ALL UTILITY AND ELECTRICAL WIRING!

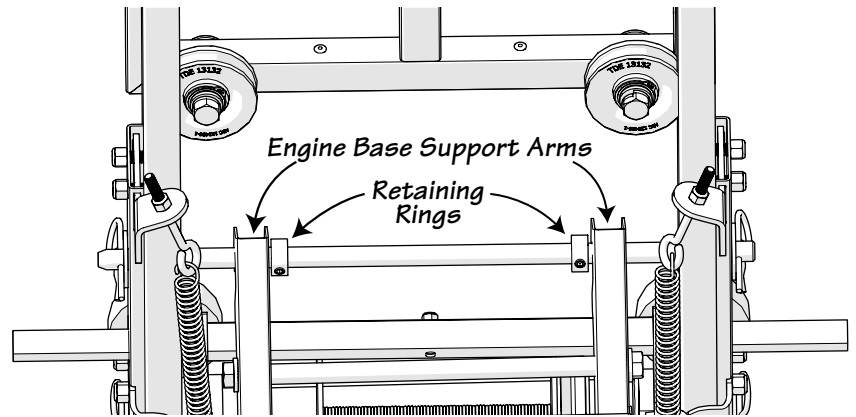
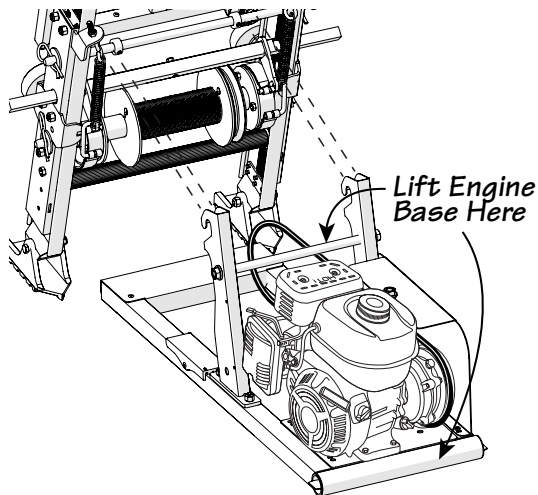
**DO NOT REMOVE THIS TAG!**

**⚠ IMPORTANT SAFETY INFORMATION ⚠**

- TOP OF HOIST MUST BE SECURED TO ROOF USING "S" HOOKS (PROVIDED) AND TWO LENGTHS OF ROPE (NOT PROVIDED)
- BRAKE TENSION SPRINGS MUST BE CHECKED FOR CORRECT TENSIONING DAILY (BEFORE USE) IN ORDER TO PREVENT LOAD SLIPPAGE
- KEEP BRAKE DRUMS AND BRAKE SHOES FREE OF OIL, LUBRICANTS, AND EXCESSIVE MOISTURE. CHECK FOR DAILY WEAR AND REPLACE WHEN NECESSARY
- DO NOT OPERATE THIS UNIT IF ANY COMPONENT PARTS EXHIBIT DAMAGE OR WEAR. THIS INCLUDES ALL TRACK SECTIONS

**DO NOT REMOVE THIS TAG!**

# Engine/Motor Base Placement



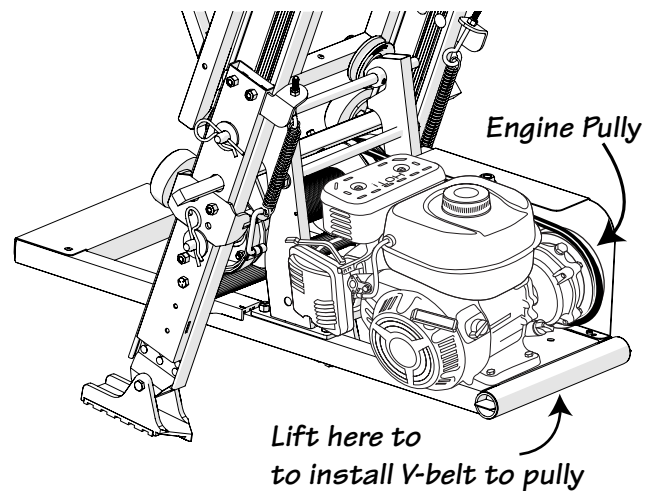
## Step 1

Mount the motor assembly to the base unit; from behind the hoist; the foot pad of the motor base slides under the track base section, while “hanging” the motor base. The motor assembly arms must fit outside the two retainer rings shown above.

## Step 2

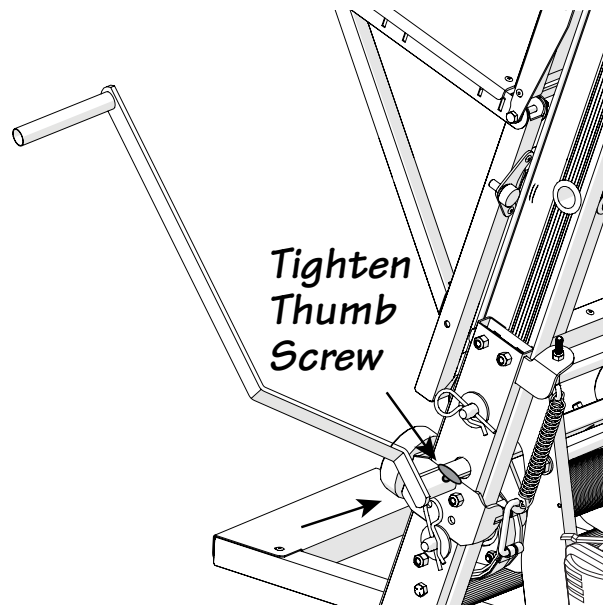
Before starting the engine...

Align the “V” belt to the large pulley on the base (next to cable drum assembly on track base). Then slide the belt under the belt guard longways to the motor base (shown right). Lift the rear of the engine base, this will make it much easier to place the V belt over the engine pulley.



## Step 3

Slide the brake handle over the brake arm and tighten thumb screw provided. Brake handle can be placed on either side of the hoist, which ever is comfortable and safe.

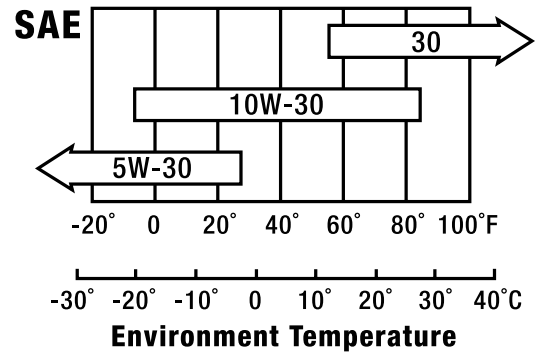


# Operating Gasoline Engines

## IMPORTANT: Lifan and Honda Engines PRIOR TO USE: FILL CRANK CASE WITH OIL.

Engine oil recommended: SAE10W-30.

As viscosity varies with regions and temperatures, select the proper engine oil in accordance with the chart (on right).



## IMPORTANT: Gear Reduction Housings

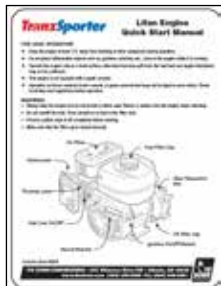
*Only the Lifan gear reduction housing comes Pre-oiled! The Honda engine gear reduction housing requires Oil! Follow manufactures instructions for adding "Gear Oil" to the Honda gear housing.*

Read the "Owner's Manual" prior to operating any equipment and familiarize yourself with the proper and safe operation of this equipment. If you can not locate or have lost any manuals, please go to the [www.tranzsporter.com](http://www.tranzsporter.com) web site for the latest instructions and updates.

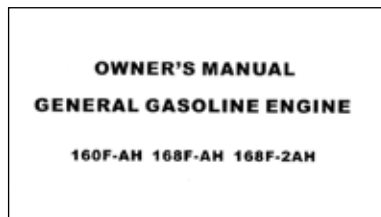
### Gasoline:

Use gasoline with a Octane level over 86. Using unleaded gasoline will decrease the possibility of producing carbon deposit and prolong the engines service life.

**Never use a mixture of gas and oil! Make sure the fuel is free of dirt and water.  
Never add gasoline when the engine is hot or running.**



**Lifan Quick Start Manual (on back)**



**Lifan Owner's Manual Manual**



**Honda Owners Manual**

## Gasoline Engines

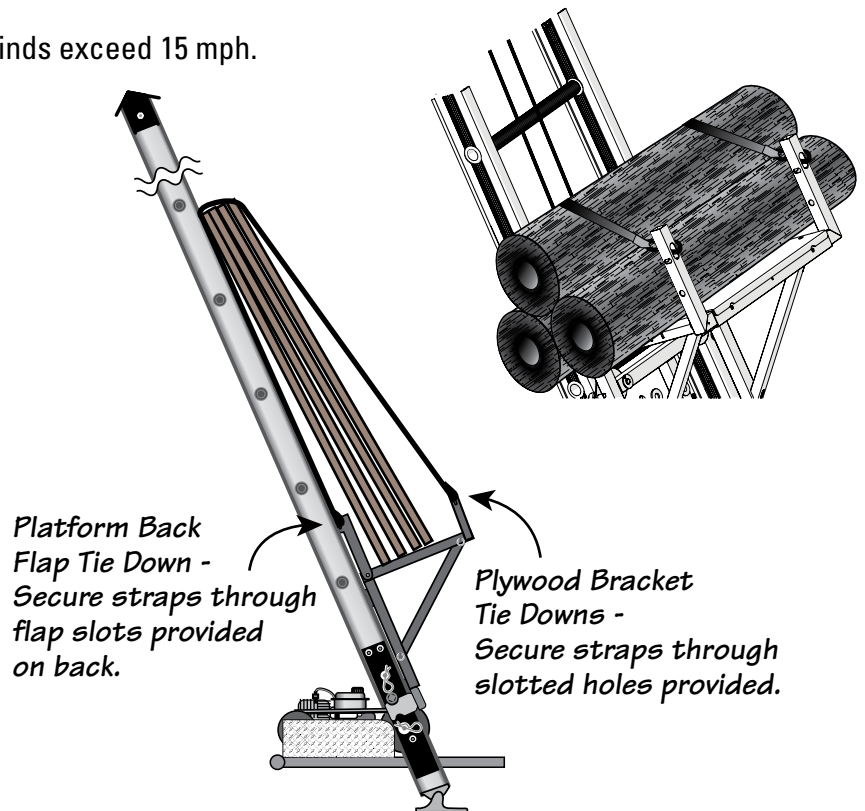
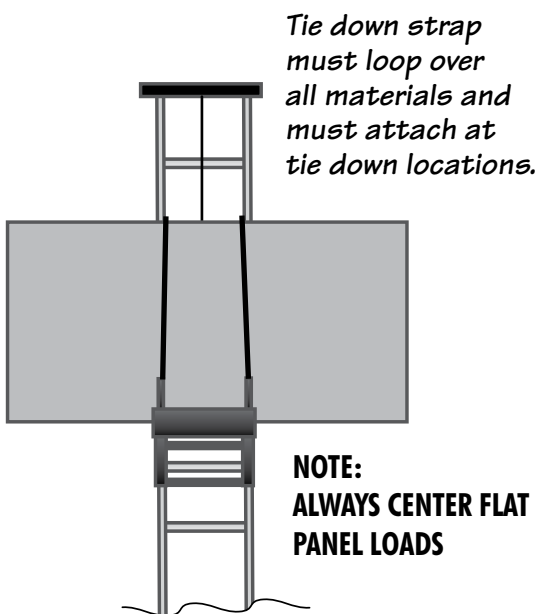
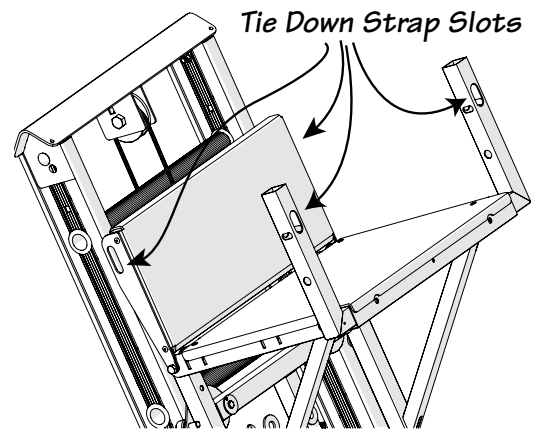
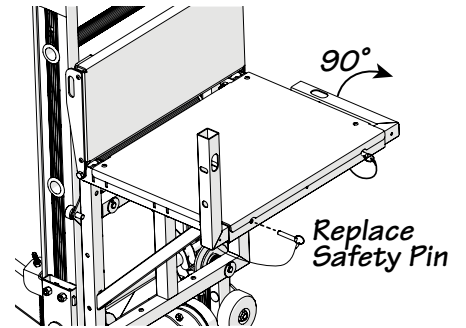
1. Handle fuel with care. It is EXTREMELY flammable and explosive under certain conditions.
2. Do not smoke, allow open flames or sparks to be present during the refueling operation.
3. Use only an approved fuel container to transport fuel.
4. Do not fuel while engine is hot - allow to cool before attempting the refueling operation.
5. Replace all fuel tank caps securely and wipe the spilled fuel before restarting engine.
6. Do not operate the TP-Series gasoline engine in an enclosed area. The exhaust can be especially hazardous and cause death in an enclosed area.
7. Stop the engine and lower the platform when leaving the vicinity of the hoist.
8. Always stop the engine, lower the platform, wait for all moving parts to stop, and allow the engine to cool before disassembling or moving the hoist.
9. Disconnect the spark plug wire from the plug before disassembling or moving the hoist.
10. DO NOT store the engine in an enclosed area.
11. Allow engine to cool before storing.
12. DO NOT store engine where it might be subjected to flames, sparks, extreme heat or any other source of combustion.

# Plywood/Flat Panel Tie Down and Lifting Instructions

**⚠ WARNING ⚠ WARNING ⚠ WARNING ⚠**

**FAILURE TO READ AND UNDERSTAND THE OPERATING INSTRUCTIONS CAN RESULT IN PROPERTY DAMAGE, PERSONAL INJURY OR EVEN DEATH TO USER OR OTHERS**

- Use the proper tie down equipment - If you are not securing your cargo with the proper safety straps, it could come loose during lifting, resulting in injury or death.
- Never hoist anything wider than the 8 ft. - larger plywood sheets can make controlling your hoist difficult and dangerous, especially when considering windy conditions. Wide panels must be centered to prevent tipping.
- Attach your safety straps to slotted tie-down points - Do not hook your tie-down straps to the plywood, straps must pass over the top. Secure your safety straps to the carriage top flaps slotted holes (the metal frame) and to the plywood brackets only (Refer to the drawings for tie down slot locations).
- Maintain a manageable speed - The wind's effects on sheets of plywood or panel goods, as well as the higher center of gravity, can make hoisting difficult and dangerous.
- Check all tie-down connections. Safety straps may come loose during transport. Always check strap for damage or wear. Replace when damaged or worn.
- Do not lift plywood/sheet goods when winds exceed 15 mph.



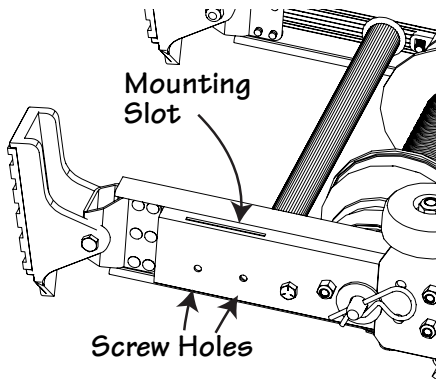
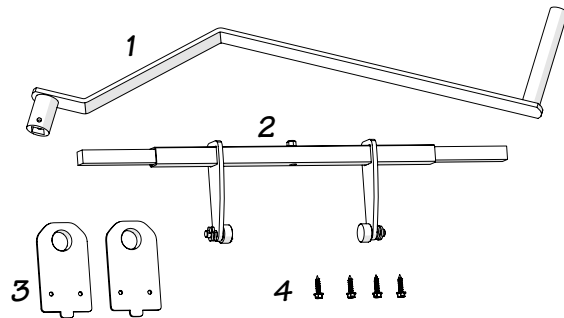


# Assembly Instructions TP250/400 Secondary Handle Kit #48468 (Purchased Separately)

Allows use of a left side handle to engage the motor and carriage. It is highly recommended when using with the Solar/Plywood Saddle Carriage. Can be used for both TP250 & TP400 models.

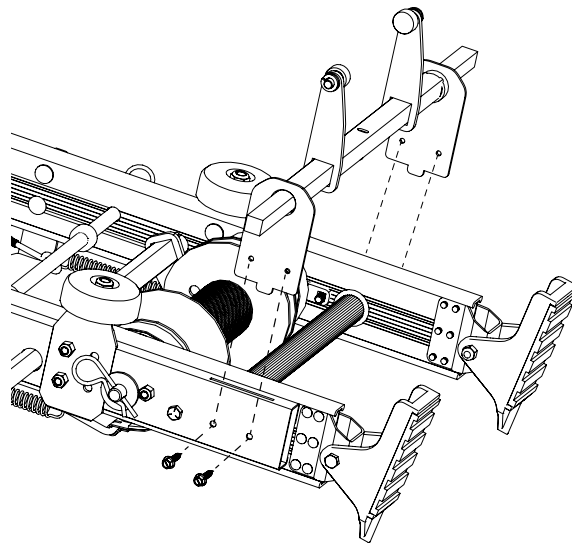
Parts included with the Secondary Handle Kit:

- 1 Handle
- 2 Pivot/Brake Weldmont
- 3 2 - Mounting Plates
- 4 4 - Screws



## Step 1

Lay the base section flat on a hard surface. Locate the mounting slot and holes on the bottom portion of the base section.



## Step 2

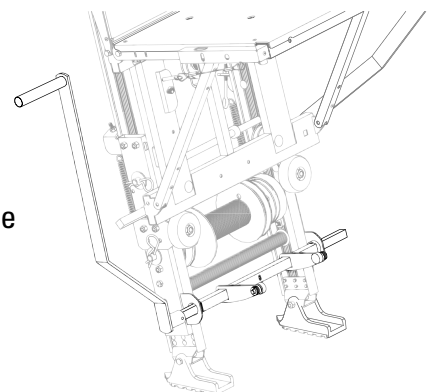
With one hand, hold the pivot/brake weldment just above the lower base section. Slide the mounting plates over the pivot/brake rod. Make sure the raised hole side of the mounting plates goes on the inside.

## Step 3

Using the two holes provided; insert two screws per side. Tighten screws using a screw driver or wrench.

## Step 4

Attach secondary handle to either side.



## TRANSPORTER PRODUCT LINE LIMITED WARRANTY

Tie Down will repair or replace, free of charge, any part, or parts of the TranzSporter lift hoist that are defective in material or workmanship or both. The limited warranty is in effect for 90 days from date of purchase. Return the defective unit to the dealer or contact Tie Down direct at 800-241-1806, x1525 or contact: [warrantymanager@tiedown.com](mailto:warrantymanager@tiedown.com).

This warranty does not apply to damage or loss caused by any or all of the following circumstances or conditions:

- Damage caused during assembly or installation.
- Parts, accessories, materials or components used with or replacing any TIE DOWN lift hoist part not obtained from or approved in writing by TIE DOWN.
- Misapplication, misuse and failure to follow the directions or observe cautions and warnings on installation, operation, application, inspection or maintenance specified in any TIE DOWN quotation, acknowledgment, sales literature, specification sheet or installation instruction and service manual ("applicable literature").
- Use of product in any other application other than those described in TIE DOWN's product information materials.

If any TIE DOWN products are found upon TIE DOWN's examination to have been defective when supplied, TIE DOWN will either: credit the purchaser's account for the purchase price of the TIE DOWN product; replace the TIE DOWN product; or repair the product. TIE DOWN has sole discretion in choosing which option to provide. For this LIMITED WARRANTY to apply, TIE DOWN must receive notice of the alleged defect within 30 days of either the discovery of the alleged defect or the expiration of the warranty period, whichever is earlier. Any claim not made within this period shall conclusively be deemed waived.

If requested by TIE DOWN, purchaser shall return the alleged defective product to TIE DOWN for examination at purchasers expense. TIE DOWN will not pay for expenses incurred in returning a product to TIE DOWN without TIE DOWN's prior written authority. TIE DOWN shall not be liable for any other expenses purchaser incurs to remedy any defect. Purchasers waive subrogation on all claims under any insurance.

**Limitation of Liability:** It is expressly agreed that the liability of TIE DOWN is limited and TIE DOWN does not function as an insurer. THE REMEDIES SET FORTH IN THIS WARRANTY SHALL CONSTITUTE THE EXCLUSIVE REMEDIES AVAILABLE TO THE PURCHASER OR USER AND ARE IN LIEU OF ALL OTHER REMEDIES, EXPRESS OR IMPLIED. THE LIABILITY OF TIE DOWN, WHETHER IN CONTRACT, IN TORT, UNDER ANY WARRANTY OR OTHERWISE, SHALL NOT EXCEED THE PURCHASE PRICE OF THE PARTICULAR PRODUCT MANUFACTURED, SOLD OR SUPPLIED BY TIE DOWN.

**To Obtain Technical Assistance:** To enable TIE DOWN to respond to a request for assistance or evaluation of customer or user operating difficulty, please provide at a minimum the following information by calling 404-344-0000:

- Model number, serial number and all other data on the specific component which appears to be involved in the difficulty.
- The date and from whom you purchased your TIE DOWN product.
- State your difficulty, being sure to mention at least the following: application, nature of load involved, and weight of the load.

**THIS WARRANTY DOES NOT COVER NOR EXTEND TO INCIDENTAL OR CONSEQUENTIAL DAMAGE.** Some states do not allow the exclusion or limitation of incidental or consequential damages, so the above limitation or exclusion may not apply to you. This warranty gives you specific legal rights, and you may also have other rights which vary from state to state.

No representative has authority to make any representation, promise or agreement except as stated in this Limited Warranty. TIE DOWN reserves the right to make design and other changes upon its products without any obligation to install the same on any previously sold or delivered products.

**THERE ARE NO WARRANTIES WHICH EXTEND BEYOND THOSE DESCRIBED ABOVE. EFFECTIVE JANUARY 2015 THIS WARRANTY SUPERSEDES ALL PRIOR WARRANTIES, WRITTEN OR IMPLIED.**

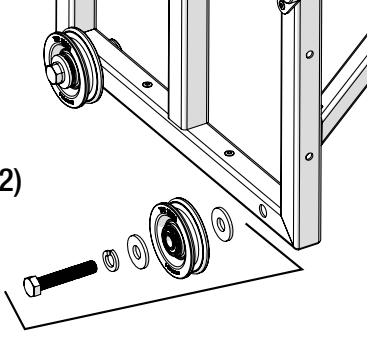
E1401, Rev. 10/19/18



404-344-0000 • [tiedown.com](http://tiedown.com)  
605 Stonehill Drive SW, Atlanta, GA 30336

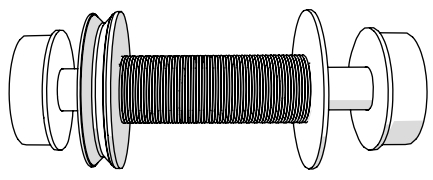
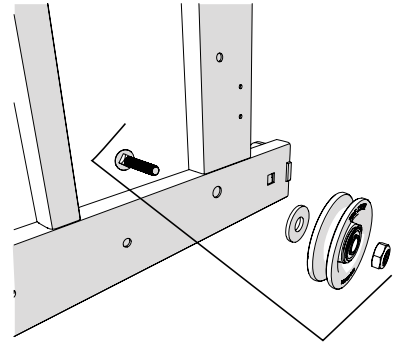
**TP-250  
Complete Carriage  
Wheel Kit**

- Part #90040  
Kit Includes:  
1/2-13 x 2-3/4" Zinc Bolts (2)  
1/2" Lock Washers (2)  
1/2" Washers (4)  
Carriage Wheels (2)



**TP-400  
Complete Carriage  
Wheel Kit**

- Part #90048  
Kit Includes:  
Carriage Bolts (2)  
Washers (2)  
Carriage Wheels (2)  
Jam Nut (2)



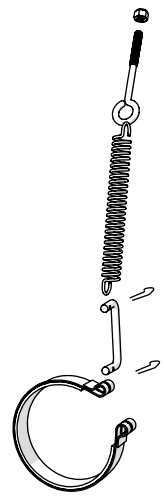
**TP 250 Complete Drum Assembly**

- Kit Includes:  
Brake Drums, Cable Drum,  
Bearings and Cable #48493A  
Cable Only 100' x 5/32" #90010

**TP 400 Complete Drum Assembly**

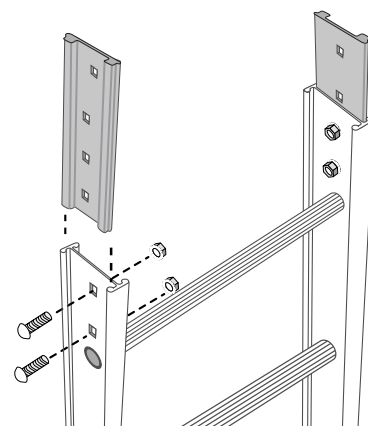
- Kit Includes:  
Brake Drums, Cable Drum,  
Bearings and Cable #48493A-400  
Cable Only 130' x 3/16" #90034

**Drive Belt (51" V-Belt) #10047**



**Brake Kit**

- Part #90007  
Kit Includes:  
Lock Nut, Eye Bolt,  
Spring, Cotter Pins,  
Linkage & Brake Strap



**Splice Plate Kit**

- Kit Includes:  
Splice Plates (2), Bolts (8)  
& Keeper Nuts (8) #90025  
Nuts and Bolts only (16 ea.) #90024



# TranzSporter

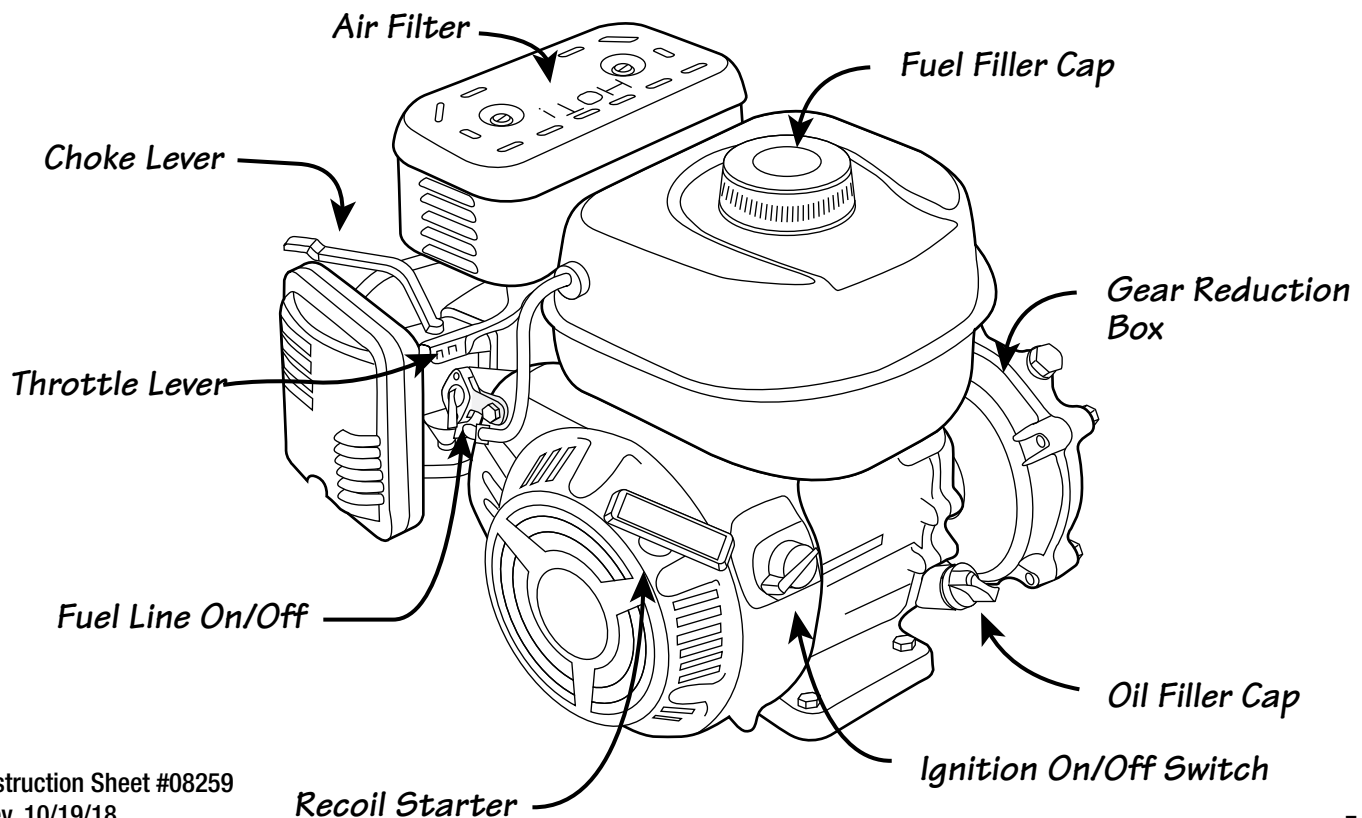
## Lifan Engine Quick Start Manual

### FOR SAFE OPERATION

- Keep the engine at least 3 ft. away from building or other equipment during operation.
- Do not place inflammable objects such as, gasoline, matches, etc., close to the engine while it is running.
- Operate the engine only on a level surface, otherwise fuel may spill from the fuel tank and engine lubrication may not be sufficient.
- This engine is not equipped with a spark arrestor.
- Operation on forest covered, brush covered, or grass covered land may not be legal in some states. Check local laws and regulations before operation.

### WARNING:

- **Always stop the engine and do not smoke or allow open flames or sparks near the engine when refueling.**
- **Do not overfill the tank. There should be no fuel in the filler neck.**
- **If fuel is spilled, wipe it off completely before starting.**
- **Make sure that the filler cap is closed securely.**
- **Do not add gasoline to engine when running or hot - allow to cool before attempting the refueling operation.**



Instruction Sheet #08259  
Rev. 10/19/18

Recoil Starter

Ignition On/Off Switch

E1437

**TIE DOWN**  
MANUFACTURING INGENUITY

404-344-0000 • tiedown.com  
605 Stonehill Drive SW, Atlanta, GA 30336

# Lifan Engine Operation Check

## **IMPORTANT! PRIOR TO USE FILL CRANK CASE WITH OIL.**

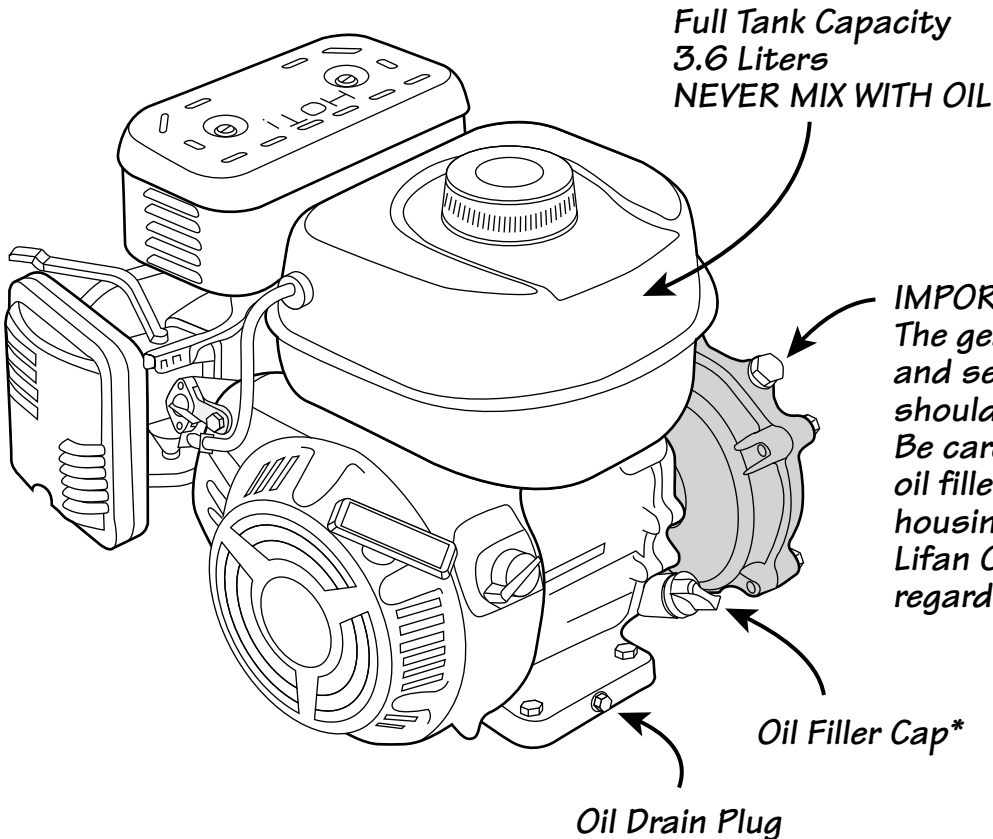
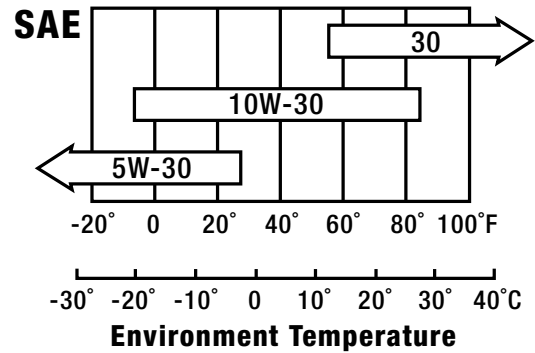
Engine oil recommended: SAE10W-30.

As viscosity varies with regions and temperatures, select the proper engine oil in accordance with the chart below. *Only the gear reduction housing comes pre-oiled!*

### **Gasoline:**

Use gasoline with a Octane level over 86. Using unleaded gasoline will decrease the possibility of producing carbon deposit and prolong the engines service life. Never use a mixture of gas and oil! Make sure the fuel is free of dirt and water.

**Do not add gasoline to engine when running or hot - allow to cool before attempting the refueling operation.**

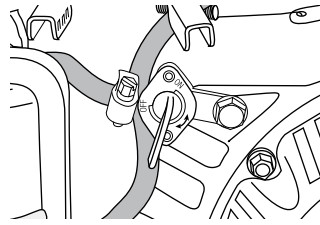


**IMPORTANT:**  
The gear reduction housing is filled and sealed at the factory and should not need any maintainace. Be carefull not to confuse the oil filler cap with the gear reduction housing fill cap. Read the complete Lifan Owners Manual for information regarding the gear reduction housing.

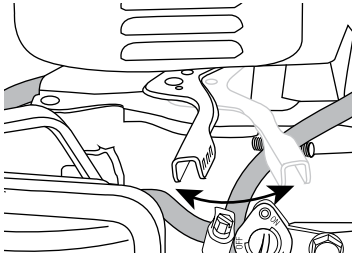
### **\* NOTE: Engine Oil Alarm (Silent Engine Stall)**

The engine oil alarm is designed to alert the user that the engine oil in the crankcase is insufficient. Once the oil level in the crankcase is too low, the engine oil alarm will stall the engine automatically to make it save from any damage.

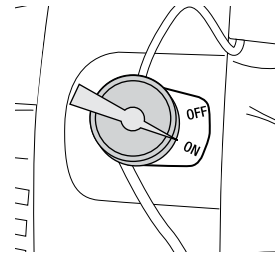
# Lifan Engine Starting



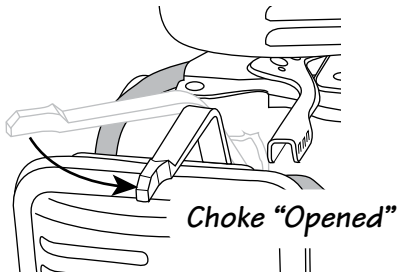
**Step 1**  
Turn the Fuel Line "on/off" valve to the "on" (vertical) position.



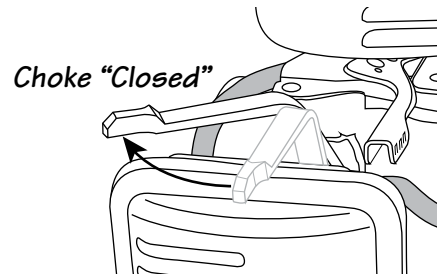
**Step 7**  
Once the motor has been running for 1-2 minutes adjust the Throttle lever for the desired engine speed.



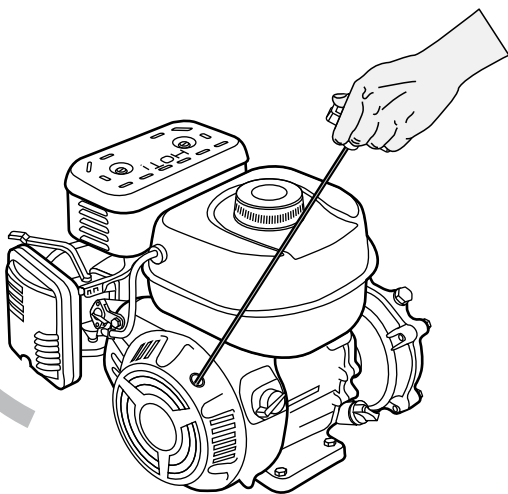
**Step 2**  
**Start Up:** Turn the "Red" ignition switch to the "On" position.



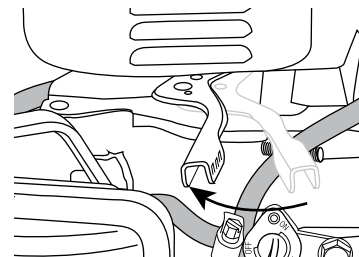
**Step 6**  
**Running:** With the motor running, open (move to the right) the Choke lever.



**Step 3**  
**Start Up:** Adjust the Choke lever to the left, "closed" position.



**Step 5**  
Pull starter cord with 3-5 rapid, smooth pulls. The engine will fire and start running.

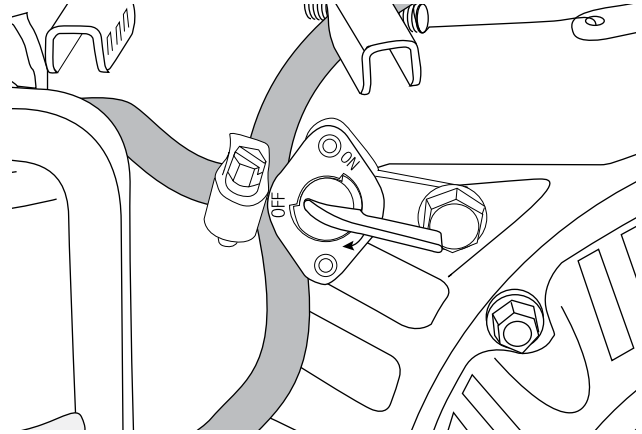


**Step 4**  
**Start Up:** Adjust the Throttle lever to "half" throttle position.

# Lifan Engine Shut Down

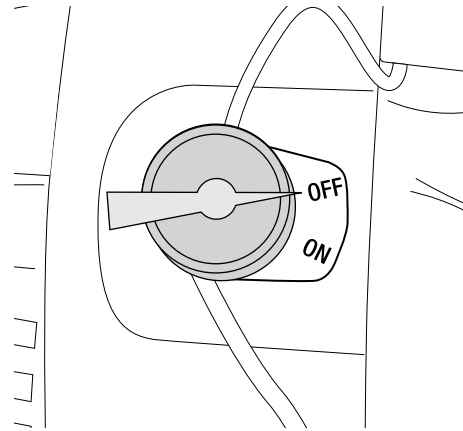
## Step 1

Turn-off the fuel line “on/off” valve and allow the motor to stop running.



## Step 2

Turn the ignition switch to the “off” position. Let the motor cool before attempting to move.



Please refer to the Lifan Owners manual for more information.

**OWNER'S MANUAL  
GENERAL GASOLINE ENGINE**

**160F-AH 168F-AH 168F-2AH**