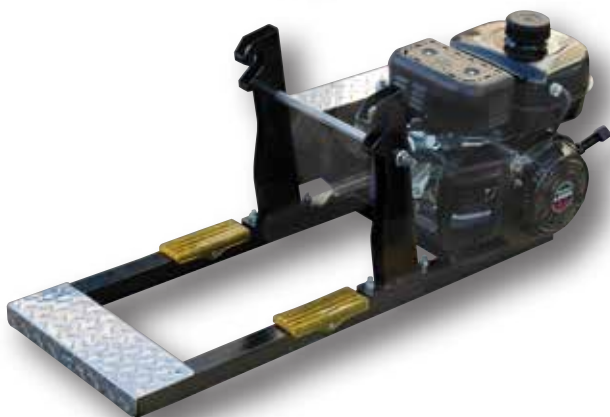


# TranzSporter

## Part Manual for TP250, TP400 Track Sections & Engines

Updated 4/16/19



Instruction Sheet  
#08256

**TIE DOWN ENGINEERING • Atlanta, GA 30336**  
**www.tiedown.com (404) 344-0000**

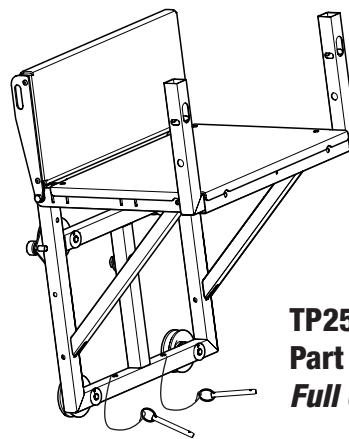


E1417; 4/16/19

## TP 250 Carriage Parts List

**NOTE:**

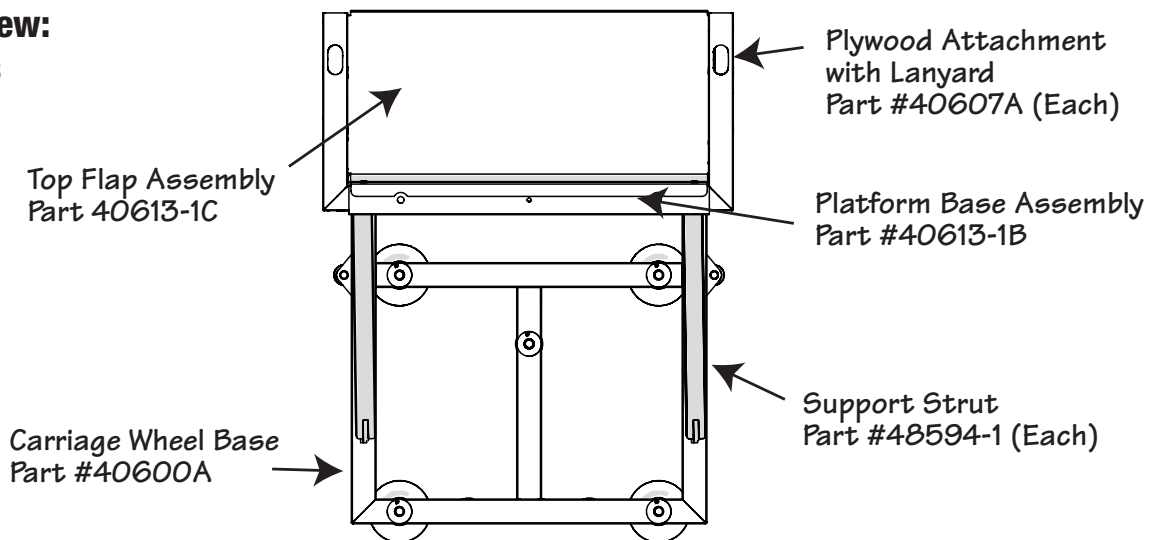
The parts list and descriptions are for assembly and general information only. Under normal working conditions parts will wear out. **TIE DOWN ENGINEERING SELLS REPLACEMENT PARTS IN KITS ONLY AND WILL NOT SELL INDIVIDUAL PIECES OR PARTS.** Common hardware listed is available at your local hardware store.



**TP250 Carriage:**  
**Part #40613**  
**Full Carriage Assembly**

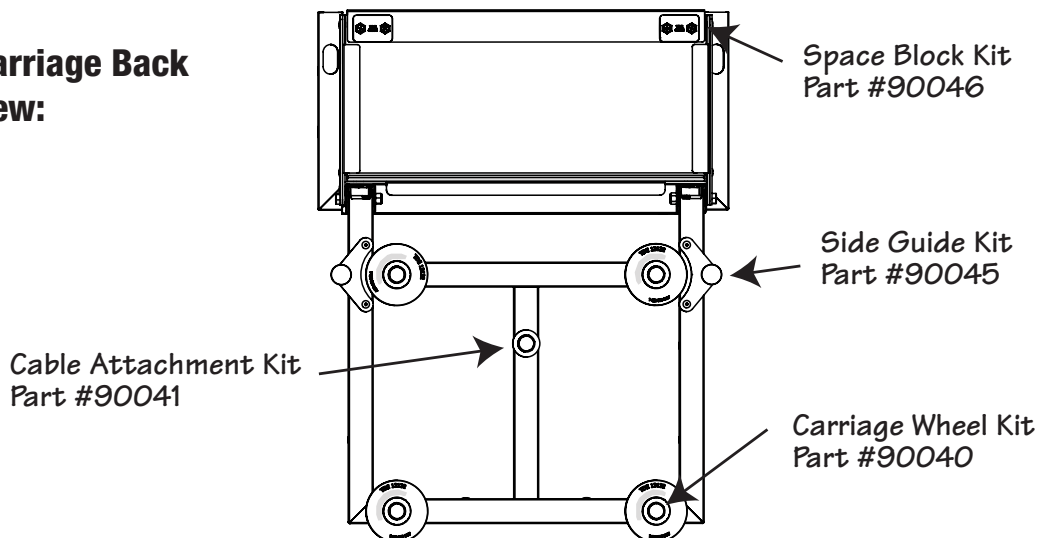
### TP250 Carriage Front

**Quick View:**  
**Part Kits**

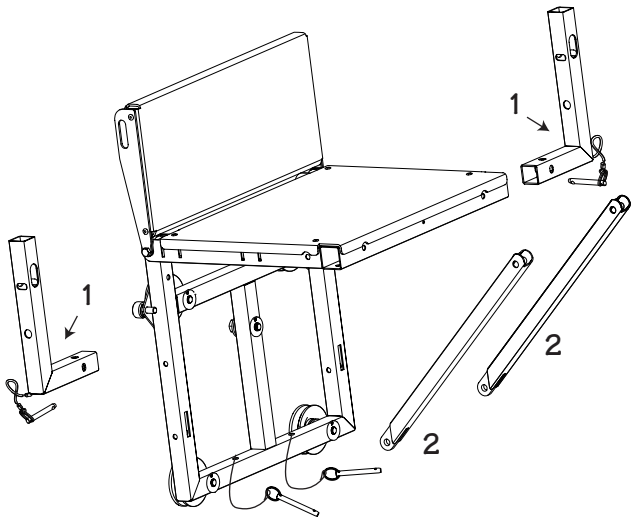


### TP250 Carriage Back

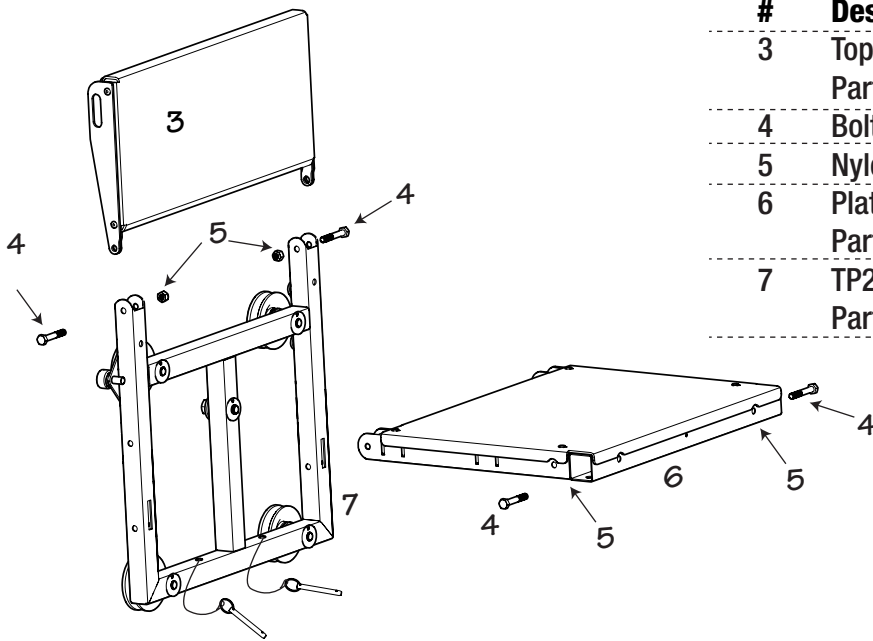
**Quick View:**  
**Part Kits**



## TP 250 Carriage Parts List

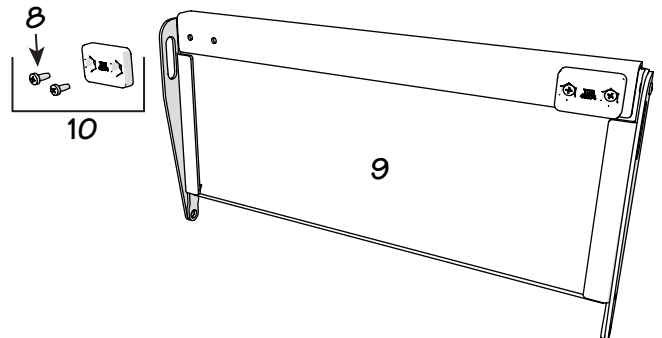


| # | Description                                      |
|---|--|
| 1 | Plywood Attachment with Lanyard<br>Part # 40607A |
| 2 | Support Strut<br>Part #48594-1                   |
|   | • Lanyard/Safety Pin Assembly (2)<br>Part #90036 |



| # | Description  |
|---|--|
| 3 | Top Flap Assembly<br>Part #40613-1C                |
| 4 | Bolt - 5/16-18 x 2"                                |
| 5 | Nyloc Nut - 5/16-18                                |
| 6 | Platform Base Assembly<br>Part #40613-1B           |
| 7 | TP250 Carriage Wheel Base Assembly<br>Part #40600A |

| ID # | Description  |
|------|--|
| 8    | 10 - 24 x 1/2" Self Tapping Screw  |
| 9    | Carriage Top Flap Assembly<br>Part #40613-1C   |
| 10   | Spacer Block Kit<br>Part #90046 - Kit Includes:<br>Spacers (2)<br>10 - 24 x 1/2" ST Screws (4) |

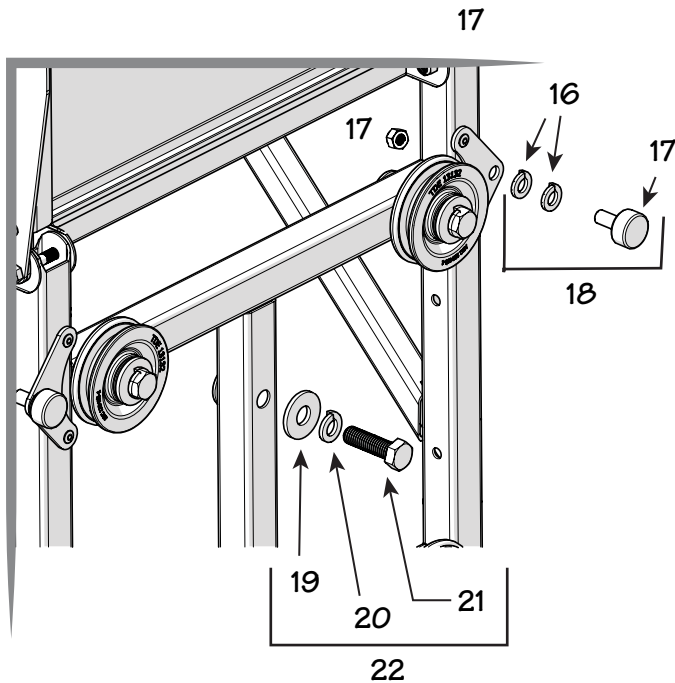
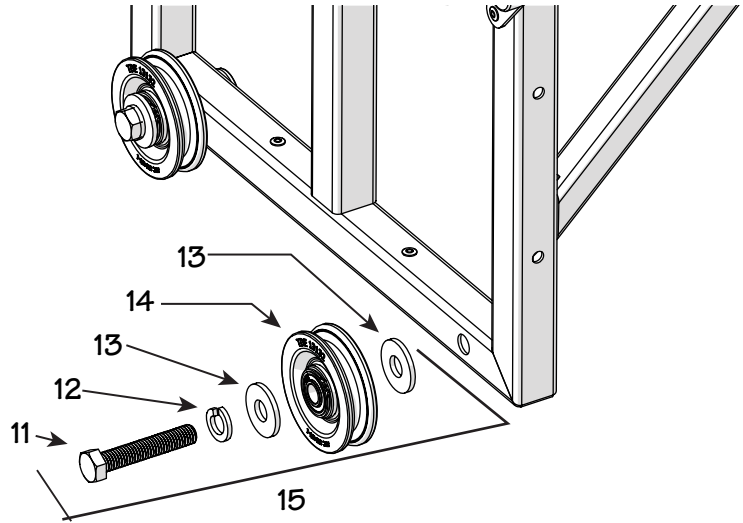


**NOTE:**

The parts list and descriptions are for assembly and general information only. Under normal working conditions parts will wear out. **TIE DOWN ENGINEERING SELLS REPLACEMENT PARTS IN KITS ONLY AND WILL NOT SELL INDIVIDUAL PIECES OR PARTS.** Common hardware listed is available at your local hardware store.

# TranzSporter TP 250 Carriage Parts List

| ID # | Description   |
|------|---|
| 11   | 1/2-13 x 2-3/4" Zinc Screw  |
| 12   | 1/2" Lock Washer  |
| 13   | 1/2" Washer   |
| 14   | Carriage Wheel  |
| 15   | <b>Complete Carriage Wheel Kit</b><br>Part #90040 - Kit Includes:<br>1/2-13 x 2-3/4" Zinc Bolts (2)<br>1/2" Lock Washers (2)<br>1/2" Washers (4)<br>Carriage Wheels (2) |



| ID # | Description   |
|------|---|
| 16   | 7/16" Lock Washer   |
| 17   | Cam Follower with nut   |
| 18   | <b>Side Guide Kit</b><br>Part #90045 - Kit Includes:<br>7/16" Lock Washer (4)<br>Cam Follower/Nut (2) |

| ID # | Description   |
|------|---|
| 19   | 1/2" Washer   |
| 20   | 1/2" Lock Washer  |
| 21   | 1/2-13 x 1-3/4" Bolt  |
| 22   | <b>Cable Attachment Kit</b><br>Part #90041 - Kit Includes:<br>1/2" Washer (1)<br>1/2" Lock Washer (1)<br>1/2-13 x 1-3/4" Bolt (1) |

**NOTE:**

The parts list and descriptions are for assembly and general information only. Under normal working conditions parts will wear out. **TIE DOWN ENGINEERING SELLS REPLACEMENT PARTS IN KITS ONLY AND WILL NOT SELL INDIVIDUAL PIECES OR PARTS.** Common hardware listed is available at your local hardware store.

TranzSporter Roofing Products Division  
**TIE DOWN ENGINEERING**

Atlanta, Georgia 30336 | 800-241-1806 • 404-344-0000

ISO 9001:2008 Certification

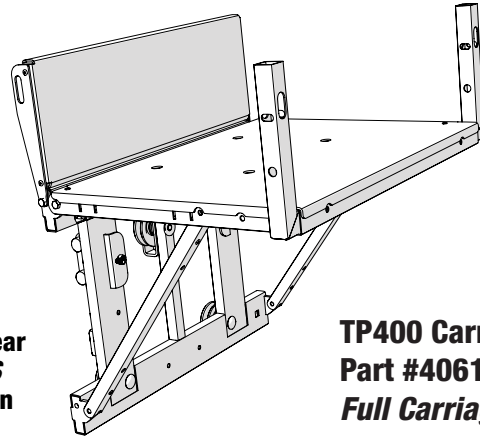
Trade, brand, names and drawings are the intellectual property of TIE DOWN ENGINEERING. ©2014 TIE DOWN, Inc.

#08256 (Rev. 4/16/19)

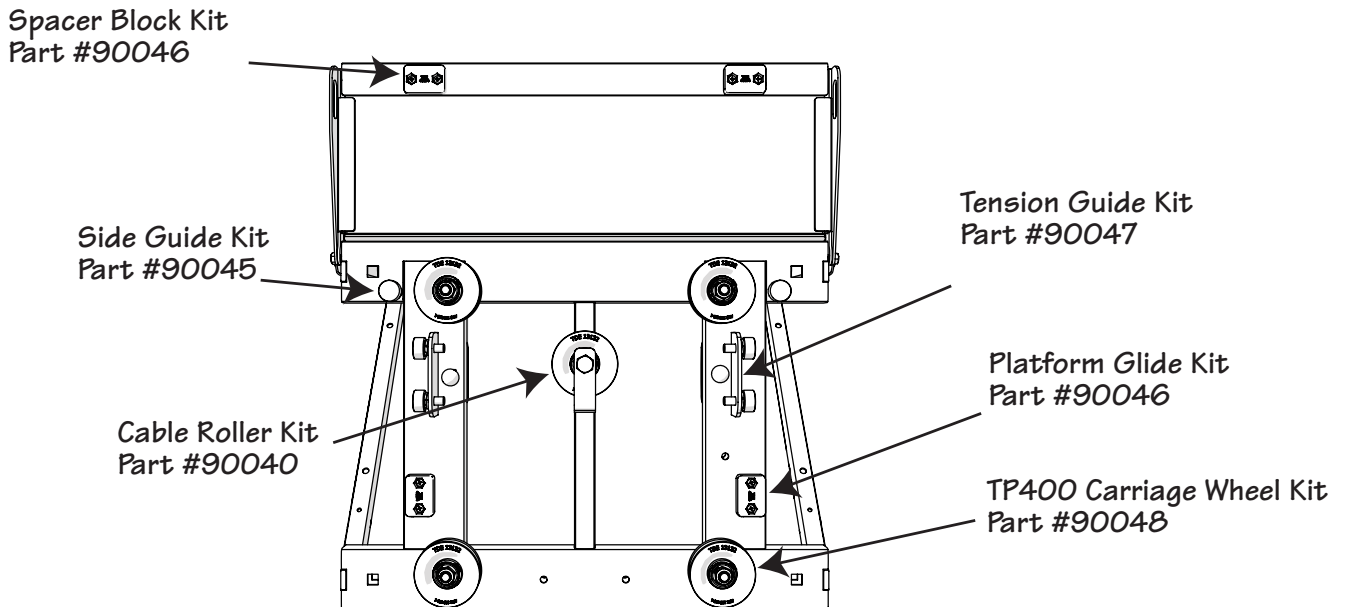
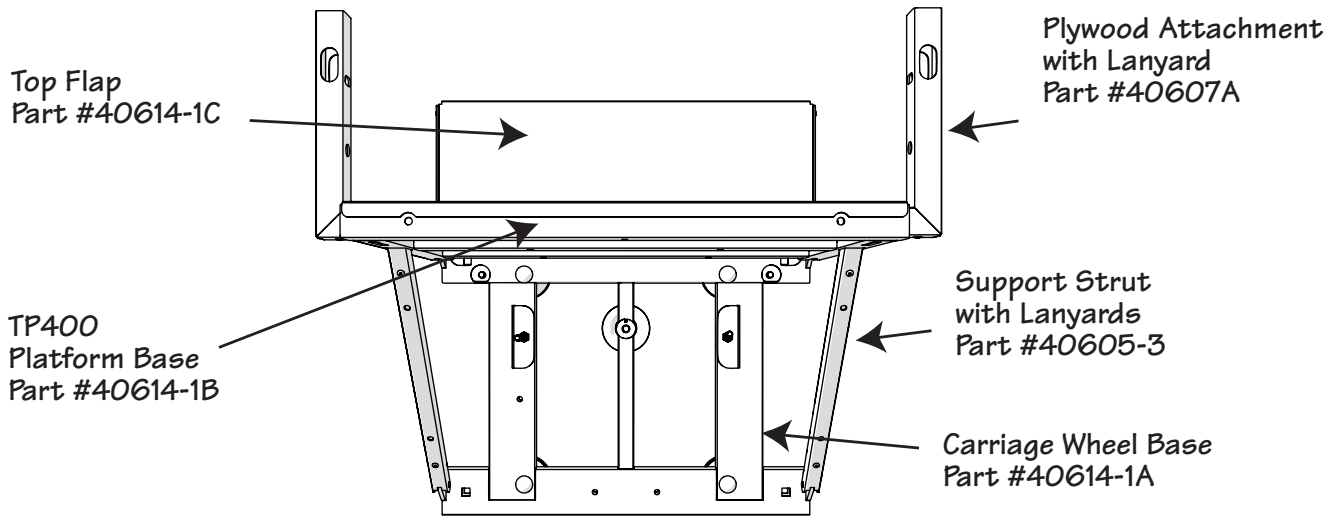
## TP 400 Carriage Parts List

**NOTE:**

The parts list and descriptions are for assembly and general information only. Under normal working conditions parts will wear out. **TIE DOWN ENGINEERING SELLS REPLACEMENT PARTS IN KITS ONLY AND WILL NOT SELL INDIVIDUAL PIECES OR PARTS.** Common hardware listed is available at your local hardware store.

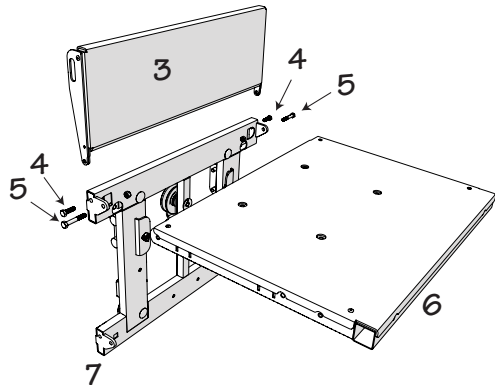
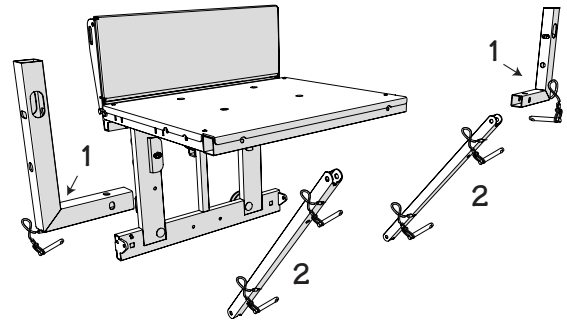


**TP400 Carriage:**  
**Part #40614**  
**Full Carriage Assembly**



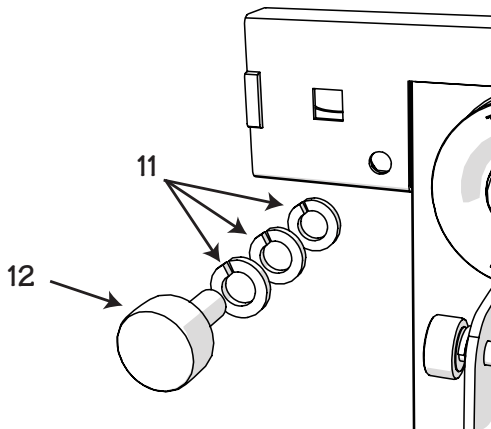
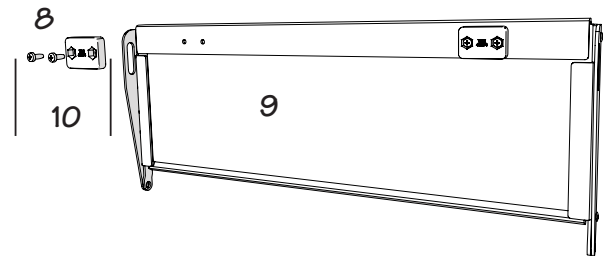
# TranzSporter TP 400 Carriage Parts List

- | # | Description                                      |
|---|--|
| 1 | Plywood Attachment with Lanyard<br>Part #40607A  |
| 2 | Support Strut with Lanyards<br>Part #40605-3     |
|   | • Lanyard/Safety Pin Assembly (2)<br>Part #90036 |



- | # | Description  |
|---|--|
| 3 | Top Flap Assembly<br>Part #40614-1C                  |
| 4 | Bolt - 5/16-18 x 2"                                  |
| 5 | Nyloc Nut - 5/16-18                                  |
| 6 | Platform Base Assembly<br>Part #40614-1B             |
| 7 | TP400 Carriage Wheel Base Assembly<br>Part #40614-1A |

- | #  | Description  |
|----|--|
| 8  | 10 - 24 x 1/2" Self Tapping Screw  |
| 9  | Carriage Top Flap Assembly<br>Part #40614-1C   |
| 10 | Spacer Block Kit<br>Part #90046 - Kit Includes:<br>Spacers (2)<br>10 - 24 x 1/2" ST Screws (4) |

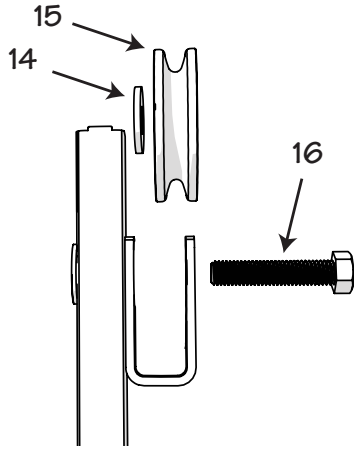


- | #  | Description  |
|----|--|
| 11 | 7/16" Lock Washer  |
| 12 | Cam Follower w/Nut -26mm   |
| 13 | Side Guide Kit<br>Part #90045 - Kit Includes:<br>7/16" Lock Washer (6)<br>Cam Follower (2) |

## NOTE:

The parts list and descriptions are for assembly and general information only. Under normal working conditions parts will wear out. **TIE DOWN ENGINEERING SELLS REPLACEMENT PARTS IN KITS ONLY AND WILL NOT SELL INDIVIDUAL PIECES OR PARTS.** Common hardware listed is available at your local hardware store.

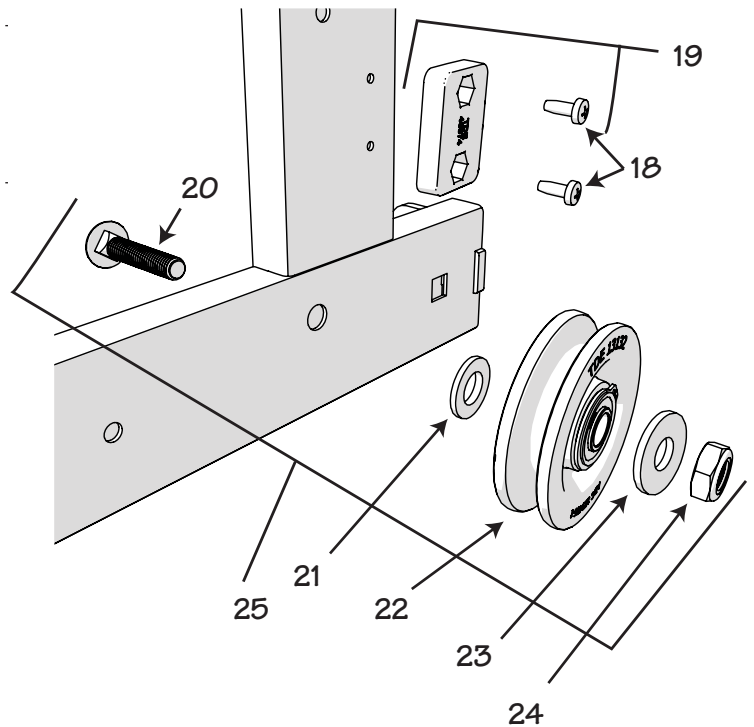
# TranzSporter TP 400 Carriage Parts List



| #  | Description   |
|----|---|
| 14 | 1/2" Washer   |
| 15 | Carriage Wheel  |
| 16 | Bolt 1/2"-13 x 2-3/4"   |
| 17 | <b>Pulley Block Kit (AKA-Complete Carriage Wheel Kit)</b><br>Part #90040 - Kit Includes:<br>1/2-13 x 2-3/4" Zinc Bolts (2 -1 required)<br>1/2" Lock Washers (2-Not needed for this pulley block)<br>1/2" Washers (1 required, 3 not need for this pulley block)<br>Carriage Wheels (2 - 1 required) |

| #  | Description   |
|----|---|
| 18 | 10 - 24 x 1/2" Self Tapping Screw   |
| 19 | <b>Spacer Block Kit</b><br>Part #90046 - Kit Includes:<br>Spacers (2)<br>10 - 24 x 1/2" ST Screws (4) |

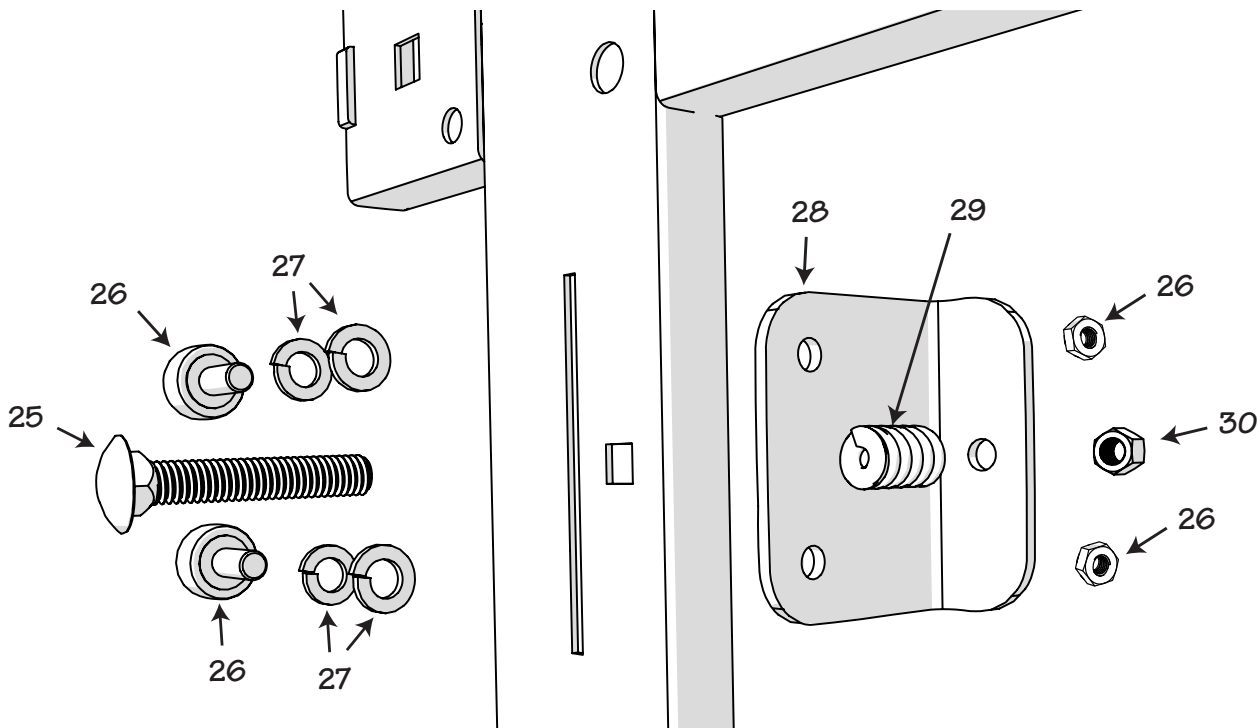
| #  | Description   |
|----|---|
| 20 | 1/2"-13 x 2-3/4" Carriage Bolt  |
| 21 | 1/2" Washer (Small)   |
| 22 | Carriage Wheel  |
| 23 | 1/2" Washer (Large)   |
| 24 | 1/2" Jam Nut  |
| 25 | <b>Complete Carriage Wheel Kit</b><br>Part #90048 - Kit Includes:<br>Carriage Bolts (2)<br>Washers (4 - 1/2" [2 small & 2 large])<br>Carriage Wheels (2)<br>Jam Nut (2) |



**NOTE:**

The parts list and descriptions are for assembly and general information only. Under normal working conditions parts will wear out. **TIE DOWN ENGINEERING SELLS REPLACEMENT PARTS IN KITS ONLY AND WILL NOT SELL INDIVIDUAL PIECES OR PARTS.** Common hardware listed is available at your local hardware store.

# TranzSporter TP 400 Carriage Parts List



| #         | Description                       |
|-----------|-----------------------------------|
| 25        | 3/8"-16 x 2-1/4" Carriage Bolt    |
| 26        | Cam Follower with Nut- 26mm       |
| 27        | 7/16" Lock Washer                 |
| 28        | Tension Guide Bracket             |
| 29        | 3/4" x 1-1/4" Die Spring          |
| 30        | 3/8" Hex Nut                      |
| <b>31</b> | <b>Complete Tension Guide Kit</b> |
|           | Part #90047 - Kit Includes:       |
|           | Carriage Bolt (1)                 |
|           | Cam Follower (2)                  |
|           | Lock Washers (4)                  |
|           | Tension Guide Bracket (1)         |
|           | Die Spring (1)                    |
|           | Hex Nut (1)                       |

**NOTE:**

The parts list and descriptions are for assembly and general information only. Under normal working conditions parts will wear out. **TIE DOWN ENGINEERING SELLS REPLACEMENT PARTS IN KITS ONLY AND WILL NOT SELL INDIVIDUAL PIECES OR PARTS.** Common hardware listed is available at your local hardware store.

TranzSporter Roofing Products Division

**TIE DOWN ENGINEERING**

Atlanta, Georgia 30336 | 800-241-1806 • 404-344-0000

ISO 9001:2008 Certification

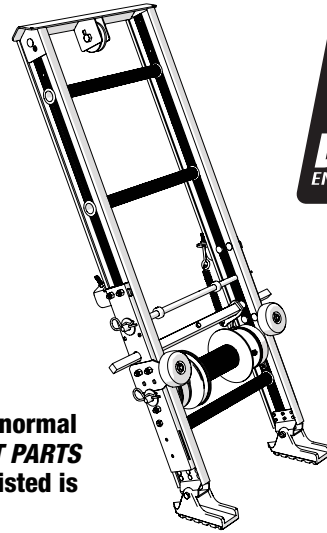
Trade, brand, names and drawings are the intellectual property of TIE DOWN ENGINEERING. ©2016 TIE DOWN, Inc.

#08256 (Rev. 4/16/19)



# TranzSporter

## TP Hoist Base Parts List

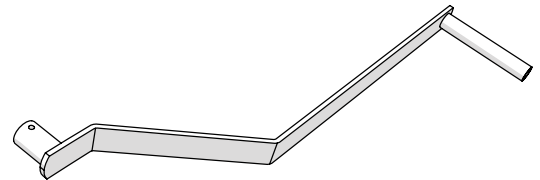
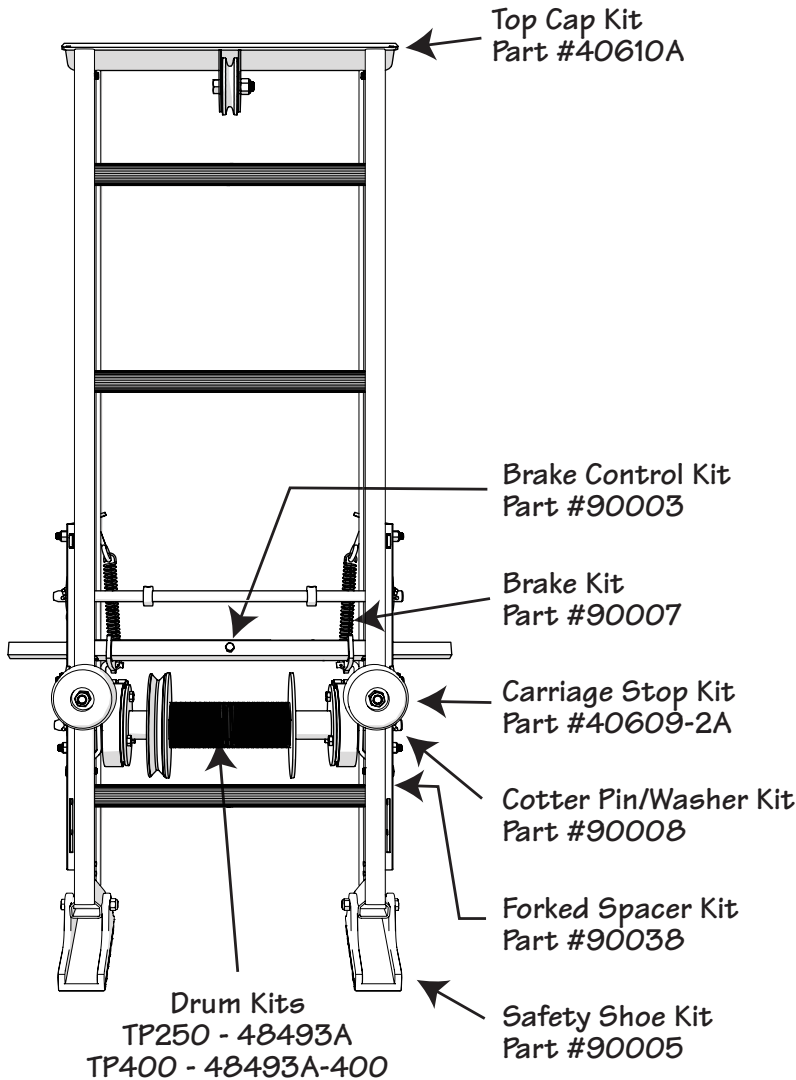


TP 250 Base Full Assembly:  
Part #40609-250

TP 400 Base Full Assembly:  
Part #40609-400

**NOTE:**

The parts list and descriptions are for assembly and general information only. Under normal working conditions parts will wear out. **TIE DOWN ENGINEERING SELLS REPLACEMENT PARTS IN KITS ONLY AND WILL NOT SELL INDIVIDUAL PIECES OR PARTS.** Common hardware listed is available at your local hardware store.



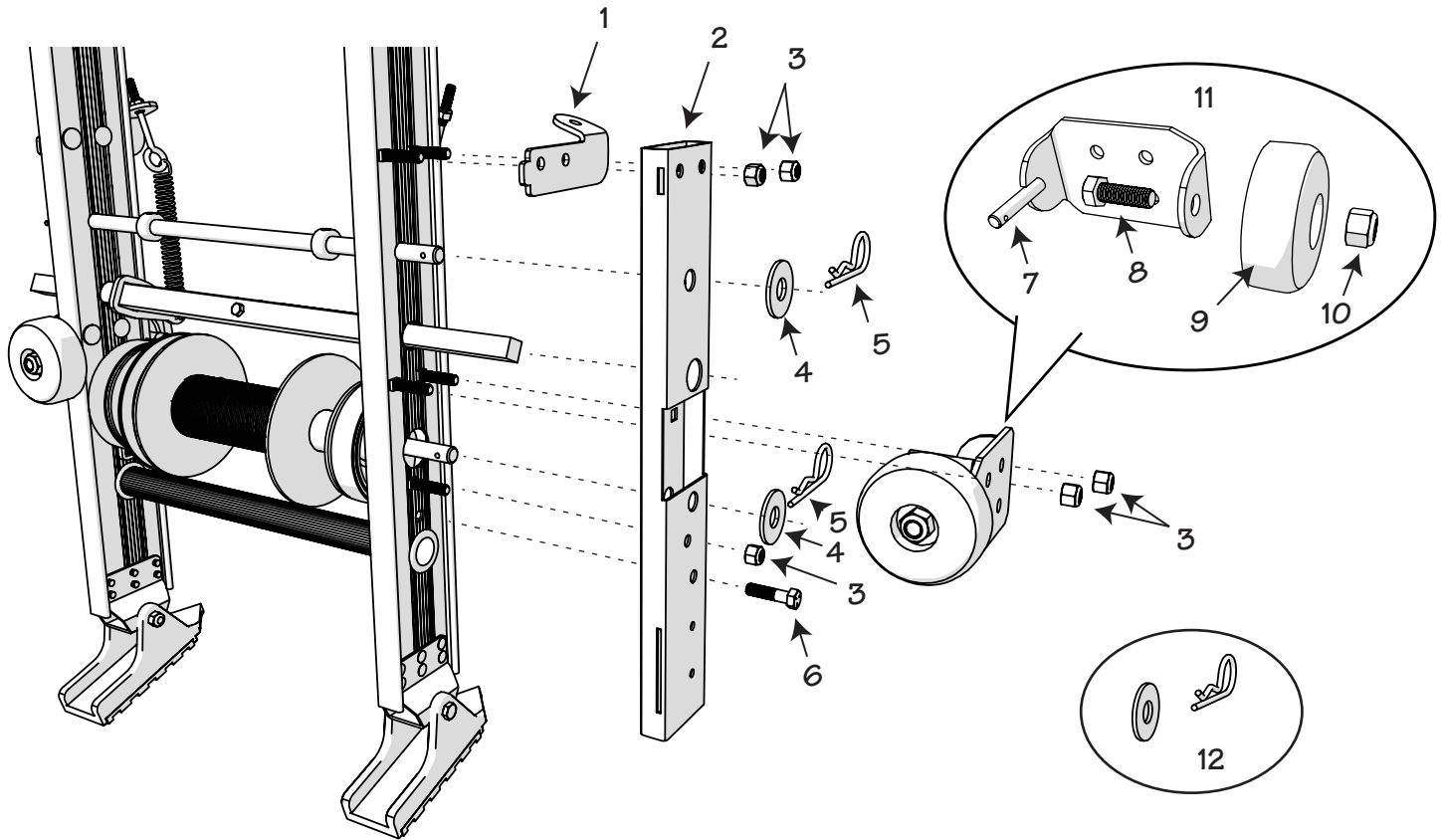
**Reversible Handle**  
Part #48506A

**4' Track Section (Base) with Feet**  
Splice Plates Included  
TP250/TP400  
Part #10083

**4' Track Section**  
Splice Plates Included  
TP250/TP400  
Part #10092

**8' Track Section**  
Splice Plates Included  
TP250/TP400  
Part #10091





### Individual Parts List

| #  | Description                                      | Part Number          |
|----|--|----------------------|
| 1  | Spring Bracket (Left)<br>Spring Bracket (Right)* | 40609-3L<br>40609-3R |
| 2  | Track Brace (Left)<br>Track Brace (Right)*       | 40609-1L<br>40609-1R |
| 3  | 3/8" Nylock Nut                                  | See Note             |
| 4  | 5/8" Washer                                      | See Note             |
| 5  | Cotter Pin                                       | See Note             |
| 6  | 3/8"-16 x 1-1/2" Bolt                            | See Note             |
| 7  | Carriage Stop Bracket                            | N/A                  |
| 8  | 1/2"-13 x 1-1/2" Bolt                            | See Note             |
| 9  | Carriage Stop Roller                             | 48358                |
| 10 | 1/2" Nylock Nut                                  | See Note             |

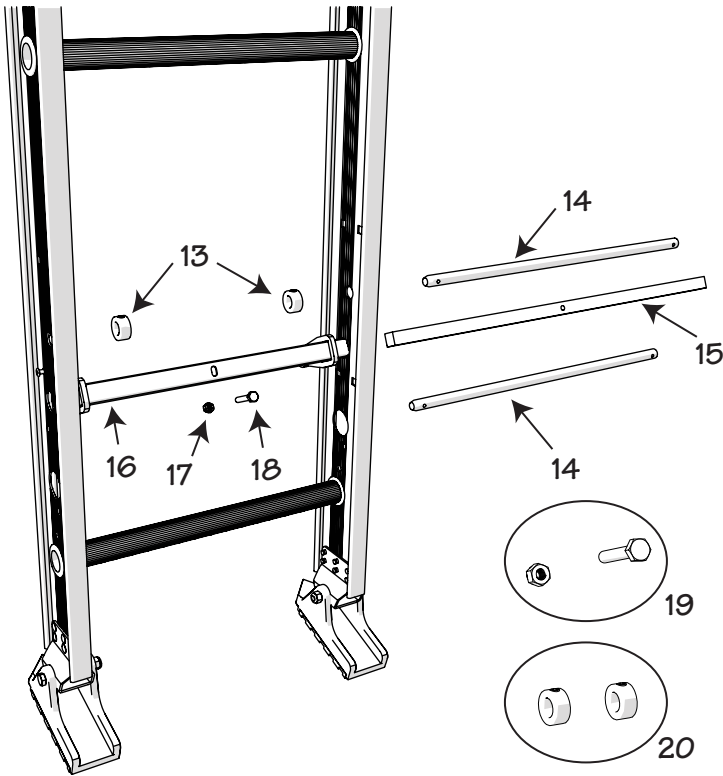
\* Shown

### Packaged Kits

| #  | Description  | Part Number |
|----|--|-------------|
| 11 | Carriage Stop Assembly<br>Kit Includes:<br>Carriage Stop Bracket<br>Bolt<br>Carriage Stop Roller<br>Lock Nut | 40609-2A    |
| 12 | Cotter Pins/Washers<br>Kit Includes:<br>Cotter Pins (2)<br>Washers (2)                                       | 90008       |

### NOTE:

The parts list and descriptions are for assembly and general information only. Under normal working conditions parts will wear out. **TIE DOWN ENGINEERING SELLS REPLACEMENT PARTS IN KITS ONLY AND WILL NOT SELL INDIVIDUAL PIECES OR PARTS.** Common hardware listed is available at your local hardware store.

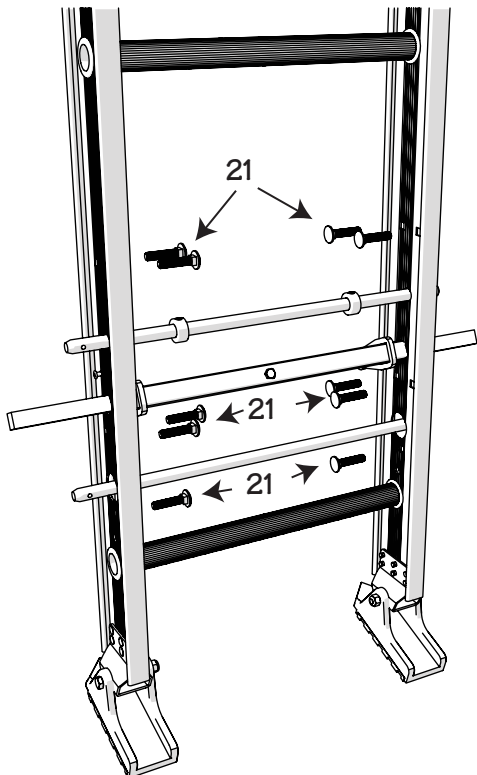


### Individual Parts List

| #  | Description              | Part Number |
|----|--------------------------|-------------|
| 13 | Shaft Collar 5/16"x 1/4" | See Note    |
| 14 | Cable Drum Shaft         | 40609-4     |
| 15 | Brake Control Shaft      | 40609-5     |
| 16 | Brake Control Weldment   | 40609-6     |
| 17 | 1/2"-20 Nut              | See Note    |
| 18 | 1/4"-20 x 1-1/2" Bolt    | See Note    |

### Packaged Kits

| #  | Description   | Part Number |
|----|---|-------------|
| 19 | Brake Control Attachment Kit<br>Kit Includes:<br>1/2"-20 Nut (1)<br>1/4"-20 x 1-1/2" Bolt (1) | 90003       |
| 20 | Shaft Collar Kit<br>Kit Includes:<br>Shaft Collar 5/16"x 1/4" (2)                             | 90001       |



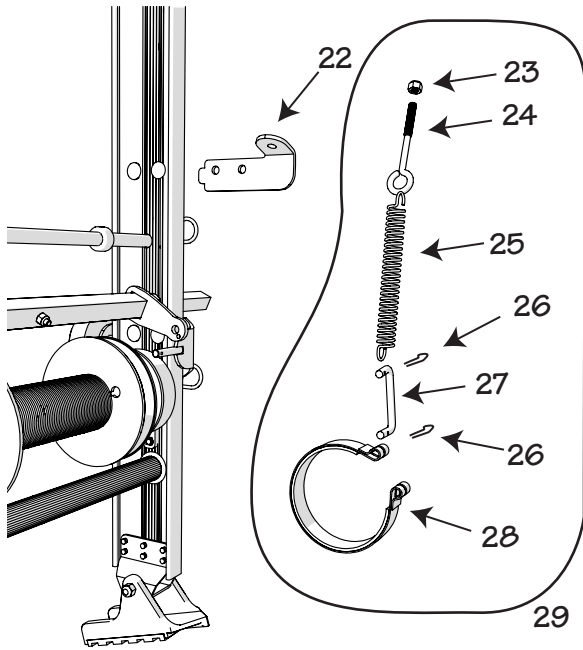
### Individual Parts List

| #  | Description                       | Part Number |
|----|-----------------------------------|-------------|
| 21 | 3/8"-16 x 1-3/4"<br>Carriage Bolt | See Note    |

#### NOTE:

The parts list and descriptions are for assembly and general information only. Under normal working conditions parts will wear out. **TIE DOWN ENGINEERING SELLS REPLACEMENT PARTS IN KITS ONLY AND WILL NOT SELL INDIVIDUAL PIECES OR PARTS.** Common hardware listed is available at your local hardware store.

## TP Base Parts List



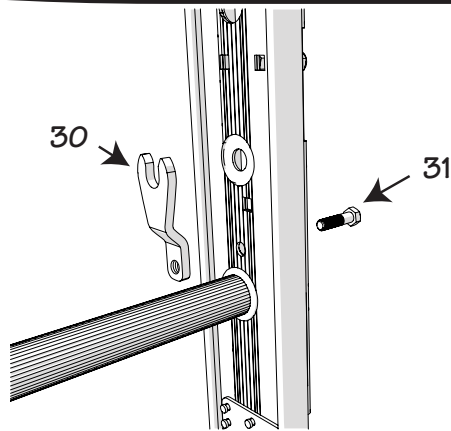
### Individual Parts List

| #  | Description            | Part Number |
|----|------------------------|-------------|
| 22 | Spring Bracket (Left)* | 40609-3L    |
|    | Spring Bracket (Right) | 40609-3R    |
| 23 | 5/16"-18 Nylock Nut    | See Note    |
| 24 | 5/16"-18 x 3" Eye Bolt | See Note    |
| 25 | Spring                 | See Note    |
| 26 | Cotter Pin             | See Note    |
| 27 | Linkage                | See Note    |
| 28 | Brake Strap            | See Note    |

\* Shown

### Packaged Kit

| #  | Description  | Part Number |
|----|--|-------------|
| 29 | Brake Kit (1 side - left side shown)<br>Kit Includes:<br>Lock Nut, Eye Bolt, Spring, Cotter Pins,<br>Linkage & Brake Strap | 90007       |

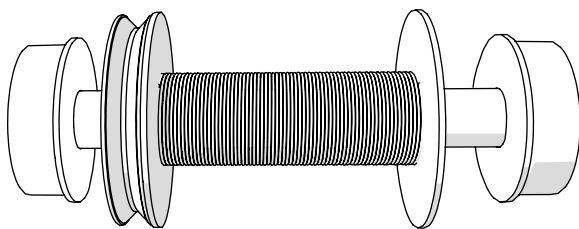


### Individual Parts List

| #  | Description           | Part Number |
|----|-----------------------|-------------|
| 30 | Forked Spacer         | See Note    |
| 31 | 3/8"-16 x 1-1/2" Bolt | See Note    |

### Packaged Kit

| #  | Description   | Part Number |
|----|---|-------------|
| 32 | Complete Fork Kit<br>Kit Includes:<br>Forks (2) & Bolts (2) | 90038       |



250/400 Drum Assembly

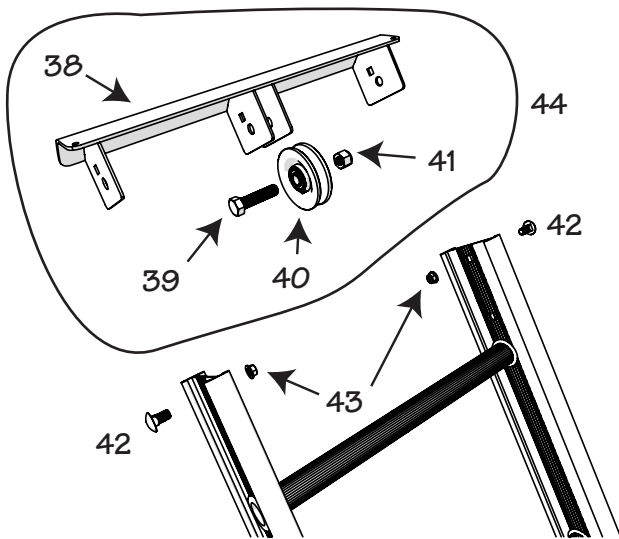


### Packaged Kit

| #  | Description  | Part Number |
|----|--|-------------|
| 33 | TP 250 Complete Drum Assembly<br>Includes:<br>Brake Drums, Cable Drum,<br>Bearings and Cable | 48493A      |
| 34 | Cable Only 100' x 5/32"  | 90010       |
| 35 | TP 400 Complete Drum Assembly<br>Includes:<br>Brake Drums, Cable Drum,<br>Bearings and Cable | 48493A-400  |
| 36 | Cable Only 130' x 3/16"  | 90034       |
| 37 | Drive Belt (51" V-Belt)  | 10047       |
| 38 | Replacement Bearing Kit  | 90009       |

### NOTE:

The parts list and descriptions are for assembly and general information only. Under normal working conditions parts will wear out. **TIE DOWN ENGINEERING SELLS REPLACEMENT PARTS IN KITS ONLY AND WILL NOT SELL INDIVIDUAL PIECES OR PARTS.** Common hardware listed is available at your local hardware store.

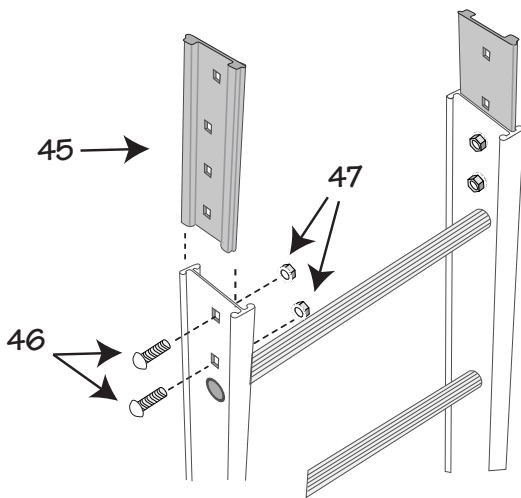


### Individual Parts List

| #  | Description       | Part Number |
|----|-------------------|-------------|
| 38 | Top Cap Weldment  | See Note    |
| 39 | 1/2"-13 x 2" Bolt | See Note    |
| 40 | Carriage Wheel    | See Note    |
| 41 | 1/2" Lock Nut     | See Note    |
| 42 | 3/8" x 3/4" Bolt  | See Note    |
| 43 | 3/8" Keeper Nuts  | See Note    |

### Packaged Kit

| #             | Description   | Part Number |
|---------------|---|-------------|
| 44            | Complete Top Cap Assembly                                   |             |
| Kit Includes: |   |             |
|               | Weldment, 1/2"-13 x 2" Bolt, Carriage Wheel & 1/2" Lock Nut | 40610A      |

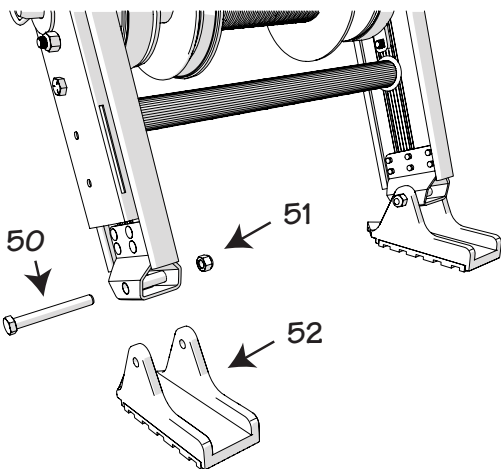


### Individual Parts List

| #  | Description         | Part Number |
|----|---------------------|-------------|
| 46 | 3/8"-16 x 3/4" Bolt | See Note    |
| 47 | 3/8" Keeper Nuts    | See Note    |

### Packaged Kit

| #             | Description                                    | Part Number |
|---------------|--|-------------|
| 48            | Splice Plate Kit                               |             |
| Kit Includes: |  |             |
|               | Splice Plates (2), Bolts (8) & Keeper Nuts (8) | 90025       |
| 49            | Nuts and Bolts (16 ea.)                        | 90024       |



### Individual Parts List

| #  | Description        | Part Number |
|----|--------------------|-------------|
| 50 | 3/8"-16 x Bolt     | See Note    |
| 51 | 3/8"-16 Nylock Nut | See Note    |
| 52 | Safety Shoes       | See Note    |

### Packaged Kit

| #             | Description                            | Part Number |
|---------------|--|-------------|
| 53            | Complete Safety Shoe Kit               |             |
| Kit Includes: |  |             |
|               | Nuts (2), Bolts (2) & Safety Shoes (2) | 90005       |

TranzSporter Roofing Products Division

**TIE DOWN ENGINEERING**

Atlanta, Georgia 30336 | 800-241-1806 • 404-344-0000

ISO 9001:2008 Certification

Trade, brand, names and drawings are the intellectual property of TIE DOWN ENGINEERING. ©2016 TIE DOWN, Inc.

#08256 (Rev. 4/16/19)

## TP Engine Base Parts List



Lifan Engine with Base:  
(#40611L)

Honda Engine with Base:  
(#40611H)

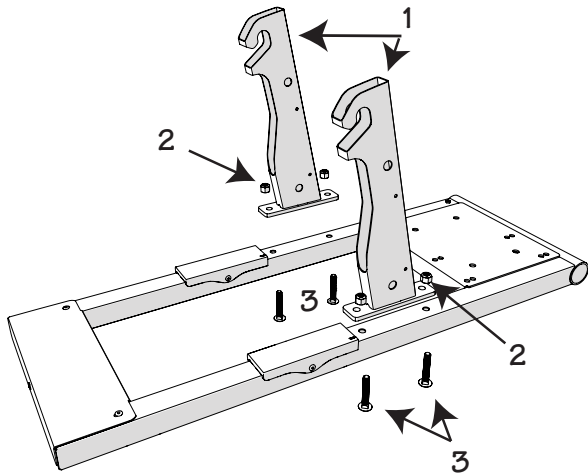
Electric Motor with Base:  
(#40611E)

Motor Base Only:  
Part #40611SPL

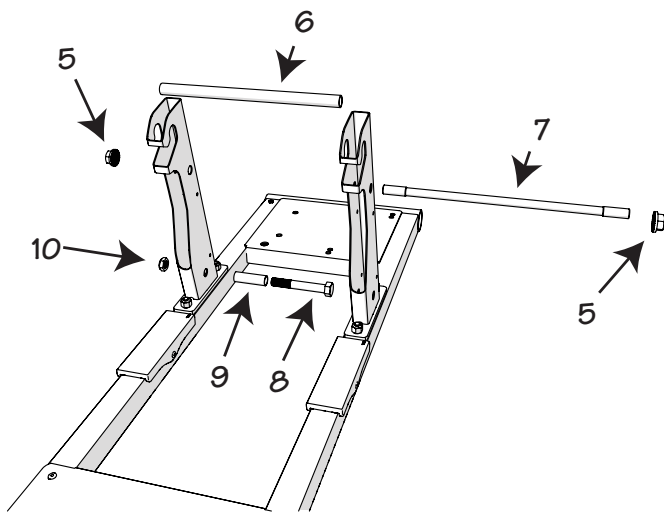
Lifan Engine Only  
(#12570A)

Honda Engine Only  
(#10039A)

Electric Motor Only  
(#12561A)



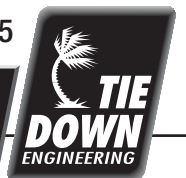
- | # | Description  |
|---|--|
| 1 | Motor Mount Hanger<br>Part #40611-4  |
| 2 | 3/8"-16 Nylock Nut   |
| 3 | 3/8"-16 x 2-1/4" Carriage Bolt   |
| 4 | Motor Hangers Kit<br>Part #90049<br>Kit Includes:<br>Motor Mount Hangers (2)<br>3/8"-16 Nylock Nut (4)<br>3/8"-16 x 2-1/4" Carriage Bolt (4) |

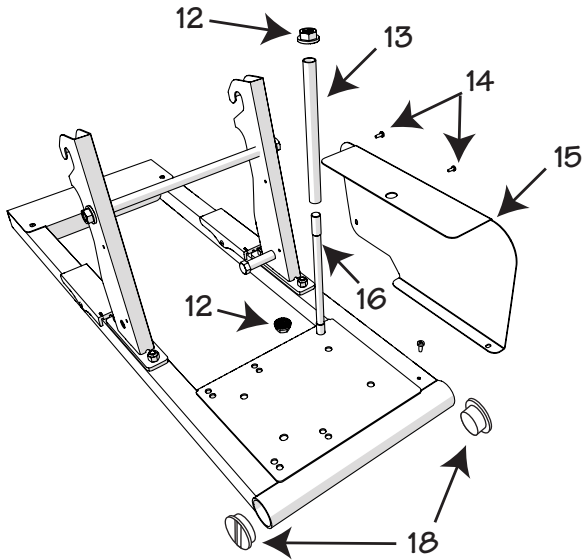


- | #  | Description  |
|----|--|
| 5  | 1/2"-13 Flange Hex Nut   |
| 6  | Upright Spacer<br>Part #40611-4-2  |
| 7  | Hanger Bar<br>Part #40611-4-3  |
| 8  | 1/2"-13 x 3-1/2" Cap Scre  |
| 9  | Belt Spacer Sleeve<br>Part #40611-5  |
| 10 | 1/2"-13 Nylock Nut   |
| 11 | Motor Hanging Hardware Kit<br>Part #90053<br>Kit Includes:<br>Everything listed above (5-10) |

**NOTE:**

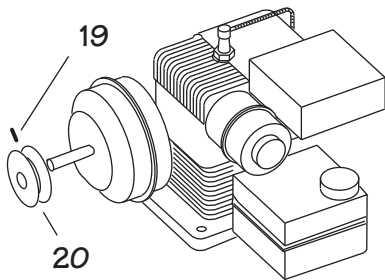
The parts list and descriptions are for assembly and general information only. Under normal working conditions parts will wear out. **TIE DOWN ENGINEERING SELLS REPLACEMENT PARTS IN KITS ONLY AND WILL NOT SELL INDIVIDUAL PIECES OR PARTS.** Common hardware listed is available at your local hardware store.





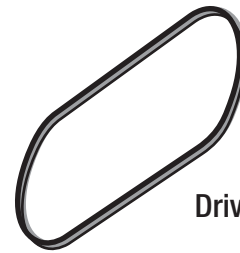
| #  | Description  |
|----|--|
| 12 | 1/2"-13 Flange Hex Nut   |
| 13 | Belt Guard Sleeve<br>Part #40611-3-                                      |
| 14 | 10-24 Self Tapping Screw   |
| 15 | Belt Guard<br>Part #40611-3-1  |
| 16 | Belt Guard Roller Shaft<br>Part #40611-3-3                               |
| 17 | Belt Guard Kit<br>Part #90051<br>Kit Includes:<br>All items listed above |
| 18 | Red End Tube Caps<br>Part #17514   |

## Additional Motor Base Parts



19 - Key 3/16"x3/4  
20 - Sheave for drive motor

Sheave & Key (Used on All Engines)  
Part #90022



Drive Belt (51" V-Belt)  
Part #10047

### Mounting the Lifan or Honda engine requires:

- (4) 5/16"-18 x 1-1/2" Bolts
- (4) 5/16"-18 Nylock Nuts

### Mounting the Electric Motor requires:

- (4) 3/8"-16 x 1" Bolts & (4) 3/8"-16 Nylock Nuts
- (4) 3/8"-16 x 2-1/2" Bolts & (4) 3/8"-16 Nylock Nuts
- (1) Electric Motor Mounting Bracket Part #40611-1-2

### NOTE:

The parts list and descriptions are for assembly and general information only. Under normal working conditions parts will wear out. **TIE DOWN ENGINEERING SELLS REPLACEMENT PARTS IN KITS ONLY AND WILL NOT SELL INDIVIDUAL PIECES OR PARTS.** Common hardware listed is available at your local hardware store.

TranzSporter Roofing Products Division  
**TIE DOWN ENGINEERING**

Atlanta, Georgia 30336 | 800-241-1806 • 404-344-0000  
ISO 9001:2008 Certification