

General Spec Sheet:

18" x 24" (457mm x 610mm) Vent

The 18" x 24" (457mm x 610mm) Vent is a functional and decorative vent designed to provide unforced free air flow ventilation of attics or similar spaces when used in conjunction with proper soffit ventilation practices. Local ventilation codes apply when installing this unit.

FEATURES:

- Easy to install on all types of exteriors
- Single unit body construction of vent housing
- J-Channel eliminated
- Double baffles for increased weather resistance
- Fully screened for complete insect protection
- Finish trim ring adjusts for a range of siding thickness

SPECIFICATIONS:

Material:	Vent	UV stabilized copolymer; colour moulded in; .100" (2.54mm) nominal wall
	Ring	UV stabilized copolymer; colour moulded in; .100" (2.54mm) nominal wall
	Baffle	Black PP; .025" (.635mm) wall
	Screen	Fiberglass; 18" x 16" (457mm x 406mm) mesh
		Paintable/Stainable HIPS available

Fabrication:	Single piece moulded unit
	Baffle and screen sealed to interior side of unit
	Trim ring single piece moulded unit

Attachment: Screw or nail directly to any surface

Packaging: 1 assembly per box

Vent Free Area:

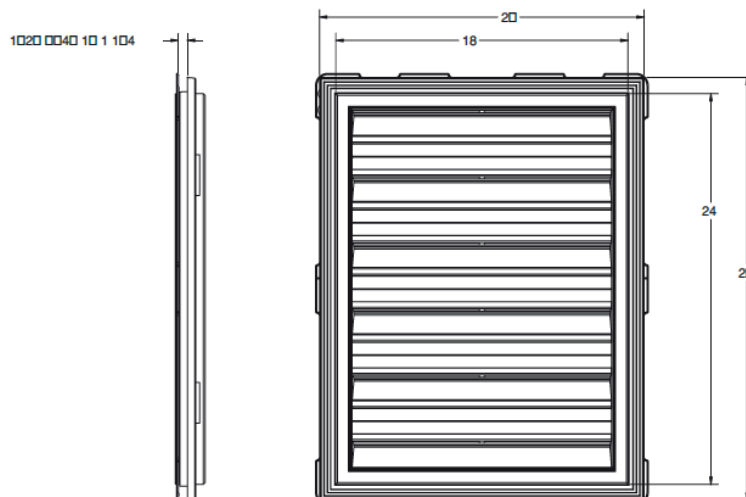
Rough Opening:

U.S. Patent No: 4,875,318; 5,349,799

Can. Patent No: 1,280,024

Dimensions:

18" x 24" CLASSIC STYLE



18" x 24" (457mm x 610mm) Vent

Net Free Area: 140 sq. in. (90322 sq. mm)

