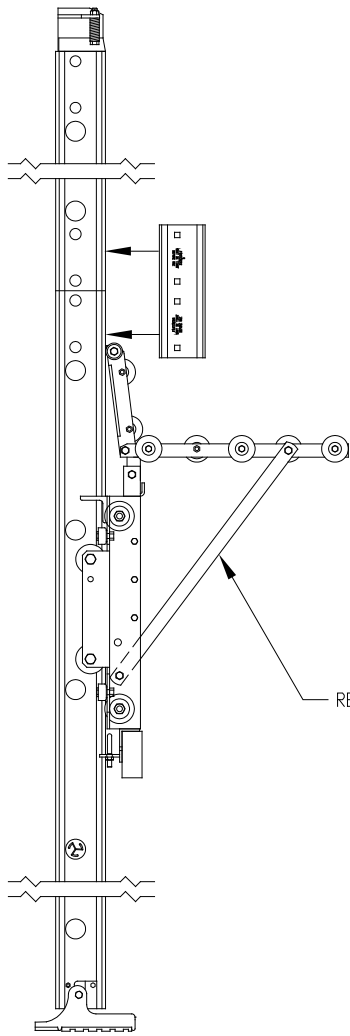
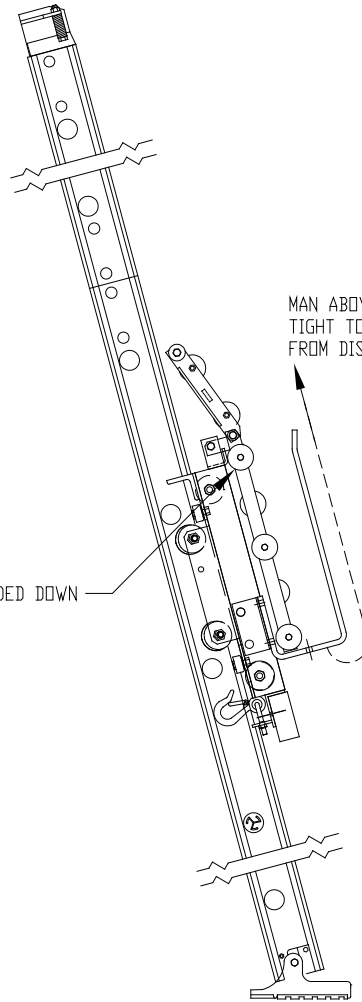


## P225 Plywood Carrier Attachment

1. Remove the two platform braces to allow the platform to drop down into a vertical position.
2. Attach the two plywood carrier brackets using the existing platform holes and platform stop hardware as shown below.
3. For extra load thickness capability, remove the wheels from the platform. Loads can be bolted using holes provided in the carrier.
4. Sheets of plywood can be placed on the carrier with either the 4 foot or 8 foot dimension “up.” If the 8 foot dimension is up (vertical), the weight of the sheets will automatically tilt the stack when the carrier reaches the top of the track. If the 4 foot dimension is up, more care must be taken to balance the stack. The worker unloading must tilt the stack into the horizontal plane to slide it out of the carrier.
5. Material should be held against the track with a rope fastened to the carrier as shown below. The loose end is held by the worker above. Keep the rope taut as the load is raised. Raise material slowly when nearing the top of the track.



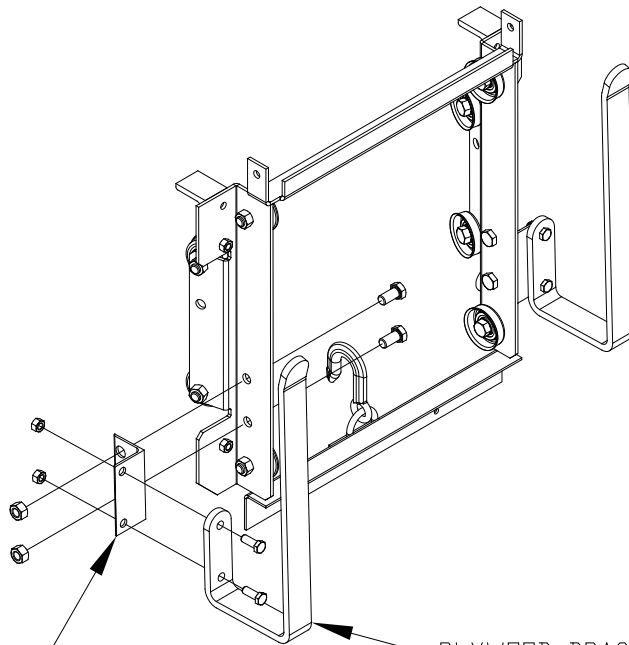
REMOVE SUPPORT BRACE



MAN ABOVE HOLDS LINE TIGHT TO PREVENT WIND FROM DISLODGING SHEETS

PLATFORM FOLDED DOWN

PLATFORM & TOP BRACKET NOT SHOWN FOR CLARITY



PLYWOOD MOUNTING BRACKET

PLYWOOD BRACKET