



Summit Dual Axis Instructions

SU82118

© 2021 Summit Treestands, LLC • PO Box 1295 • Birmingham, AL 35201
www.summitstands.com



ATTENTION

YOU MUST READ ALL WRITTEN INSTRUCTIONS AND WATCH THIS SAFETY VIDEO BEFORE USING!



WATCH THIS SAFETY VIDEO BEFORE USING!

Scan →



or Visit →

www.standsafety.com/s1

Scan the QR code with your smart phone, tablet or similar device.

OR

Type the website address into your web browser to view an important safety video before using this product.

HANG-ON STAND SAFETY



WARNING

FAILURE TO READ AND FOLLOW ALL MANUFACTURER'S WARNINGS AND INSTRUCTIONS CONSTITUTES A MISUSE OF THIS PRODUCT AND COULD RESULT IN SERIOUS INJURY OR DEATH!

- Read, follow and understand all written and video warnings and instructions before use. Inspect all expiration tags prior to each use. If you don't completely understand safe and proper use of the full body fall arrest harness system (FBFAHS) or treestand, hunt from the ground! Failure to follow all warnings and instructions listed could result in serious injury or death!
- When hunting from a treestand, falls can occur any time after leaving the ground! Any fall can cause serious injury or death! Always wear a fall arrest system (FAS) comprising a full body harness at all times after leaving the ground. You must stay connected at all times after leaving the ground while using climbing and hang-on treestands. Single safety belts and chest harnesses are no longer allowed and shall never be used. If you are not wearing a full body harness properly attached to the tree that is protecting you from a fall, do not leave the ground.
- The use of this product requires the use of a full body fall arrest harness system (FBFAHS) that includes a lineman's climbing belt and meets the requirements of Test Method F2337. A lineman's climbing belt allows the user to remain attached to the tree through climbing and descent so that they may remain attached to the tree from the moment they leave the ground until they return to the ground. The FBFAHS must be used and attached to the tree prior to gaining entry upon the treestand platform, and should be worn and attached to the tree at all times while using the treestand until safely back at ground level. Read and follow all instructions that were provided with your FBFAHS.
- The length of the harness tether shall be minimized at all times. It shall be adjusted so that it is above the head with no slack (or snug) in the seated position. Failure to do so may result in suspension without the ability to recover to your treestand. Be aware of hazards associated with hanging suspended in a FBFAHS and the fact that prolonged suspension in a harness may be fatal.
- A signal device such as a mobile phone, radio, whistle, signal flare or personal locator device (PLD) must be on your person and available at all times. Always notify someone of your hunting location in case of an emergency. If others are not aware of your hunting location and communication efforts are unsuccessful, you must have a personal plan for recovery/escape before you ascend the tree - prolonged suspension in a harness can be fatal. It is important to exercise the legs by pushing against the tree or doing other forms of continuous leg exercises to avoid blood pooling while being suspended. Hunters with varying degrees of physical fitness may require different plans in order to recover/escape to avoid effects of prolonged suspension. Have a personal plan and practice it in the presence of a responsible adult before leaving the ground. No escape/recovery plan will work for every hunter on every tree in every circumstance. Only you can determine the best recovery/escape plan for your hunting situation and you must have a recovery/escape plan for your situation before leaving the ground. Hunt from ground when self-recovery/escape ability is absent.
- If there are any questions or concerns with instructions, warnings, or proper use, do not use the treestand. Contact the manufacturer. Do not use unless you fully understand safe and proper use. Maintain all warnings and instructions for later review as needed, for instruction usage to anyone borrowing your stand/FBFAHS or to pass on when selling these items. Use all safety devices provided with your treestand and FBFAHS.
- The use of a lineman's climbing belt as part of your FBFAHS is required when installing, using, or removing any climbing aid or fixed position treestand.
- Inspect all ropes or straps and all ladder sections to ensure the sections are not separated prior to each use. Ensure the ground below the climbing aid is firm and level.
- Always step down into the foot platform area of any fixed position treestand. Placement of the fixed position treestand must be below the top end of the climbing aid.
- When using a fixed position treestand, never be disconnected from the tree for any reason or at anytime. Use a two point (double) connection process while maneuvering into the treestand or around obstacles. A FBFAHS is required at all times above ground level.
- Inspect all cables and treestand straps prior to each use or prior to stepping onto the platform. Failure to do so could result in serious injury or death.
- Do not use this product until you understand safe and proper use. You must read and follow all instructions and warning prior to each use! Store these instructions in a safe place and review periodically and at least yearly. Ensure that all users have reviewed these instructions before any use.
- Inspect the treestand and cables prior to every use for undue wear, deformity, corrosion or other damage. Inspect all straps, webbing and ropes for fraying, rips, tears, cuts, undue wear or any other type of damage. Discontinue use immediately if any damage is present.
- Never exceed the maximum rated weight limit of this product. This limit includes user and all gear taken to the platform area.
- Always inform someone of the hunting location, where the treestand will be located and the expected duration of the hunt.
- Inspect the treestand and all safety devices each time before use and do not store a treestand outdoors when not in use.

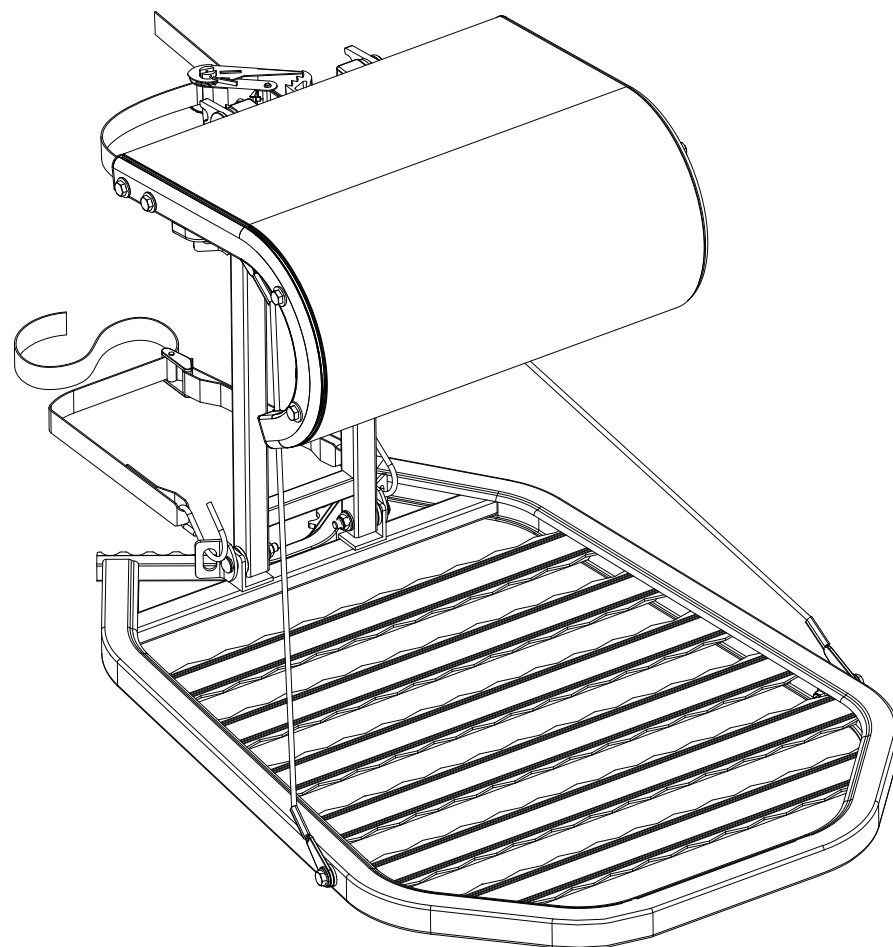
PRINTED IN CHINA

FORM#: SU82118-21 - 1/2021





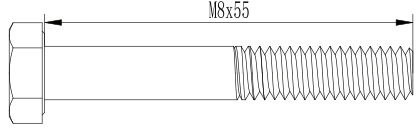
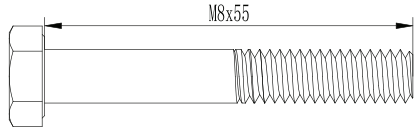
3 PARTS LIST



PART NUMBER	QTY	DESCRIPTION	IMAGE
SU82118-01	1	Standing Platform/ Seat Frame/Vertical Post/ Cables/Backpack Strap	
SU82118-02	1	Tree V-Bracket	
SU82118-03	2	Strap Bracket	
SU82118-04	1	1" Cam Buckle Strap with S hooks	
SU82118-05	1	Ratchet Strap with Double J Hooks	
SU82118-06	1	Safety Harness (SU18226-03)	

4 HARDWARE PACKET CONTENT

(Each bag is numbered per corresponding assembly step and will also include washers and nuts necessary for each step)

Step 1	M8x60 (with Shoulder Washers, Nylon and Steel Washers)		Qty 2
Step 2	M8x50 (with Steel Washers)		Qty 1

5 TOOLS REQUIRED (PROVIDED)

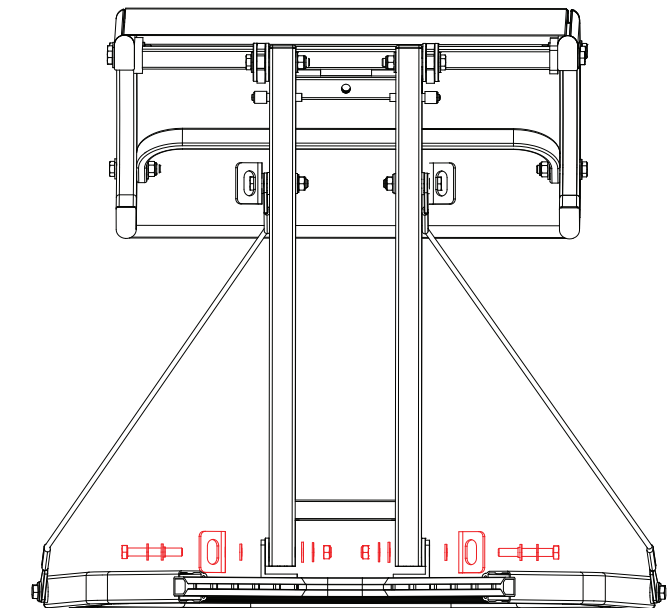
1	M8/M6 Wrench (2 pcs)	
---	-------------------------	--

6 ASSEMBLY

1 Install Seat and Vertical Post Assembly to Platform

Hardware: 2 M8x60 Bolts
2 Shoulder Washers
4 Nylon Washers
4 Steel Washers
2 Nuts

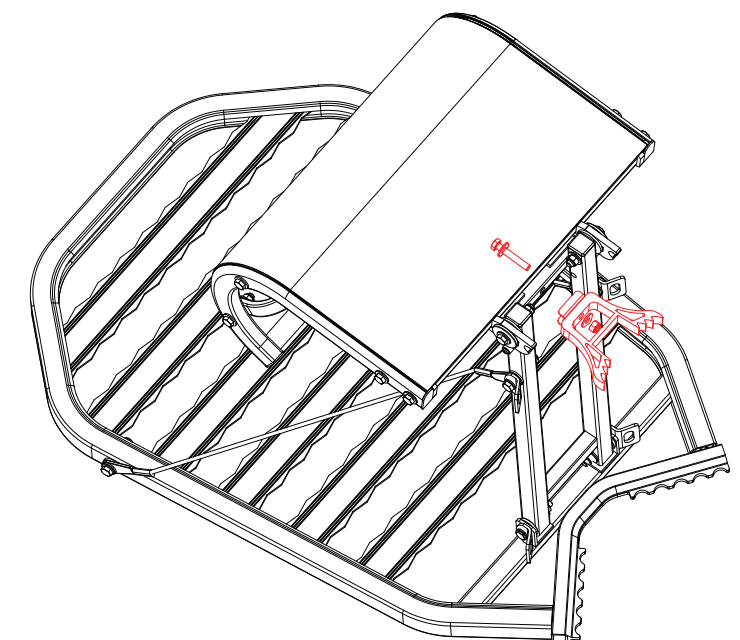
Align the Vertical Post so that the bolt holes on the bottom section line up with the corresponding Platform bolt holes, as shown in the figure. On each side, assemble the hardware as shown in the figure, looking at the left side the order of the hardware from left to right should be: bolt, steel nut, shoulder washer, strap bracket, nylon washer, nylon washer, steel washer, and nut. The right side should be mirrored.



2 Attach the Tree V-Bracket

Hardware: 1 M8x50 Bolt
2 Steel Washers
1 Nut

Align the Tree V-bracket to the vertical post and seat assembly as shown in the figure and assemble using the supplied hardware.



7 INSTALLATION

⚠ WARNING

While hanging, climbing into, using or descending from any Fixed Position Treestand, a Full Body Fall Arrest Harness System along with the supplied Lineman's Belt is mandatory and required. A FBFAHS must be worn and attached to the tree at all times after leaving the ground. **NEVER** attempt to install, use or remove a Fixed Position treestand without being stabilized by a Lineman's Belt.

1. Select a straight, healthy tree without any obstructions (branches or limbs) and attach climbing aid or climbing sticks properly per the manufacturer's instructions.
2. Ensure that the free end of the ratchet strap is properly threaded through the barrel of the ratchet strap as shown in **Figure 1**.
3. Using the FBFAHS with a Lineman's Belt and according to its instructions, climb up the climbing aid or climbing sticks until you reach the height where you want to hang the Fixed Position Treestand.



⚠ WARNING

Platform location should **ALWAYS** be below your climbing aid so you can step down into the platform area of the Fixed Position Treestand.

⚠ WARNING

Climbing aids (Stick Ladders, Sectional Ladders, Steps, etc.) **MUST EXTEND ABOVE** the final position of the hang-on platform so that the user may step down from the climbing aid into the center of the platform. **ALWAYS** step down from the climbing aid onto your platform. **NEVER** attempt to climb up onto a hang-on platform from a climbing aid mounted below the platform.

4. Carefully pull up the Fixed Position Treestand using a hoist or pull up rope.

⚠ WARNING

ALWAYS use a pull up rope to raise and lower the stand. **NEVER** climb with anything on your back.

⚠ WARNING

Practice the attachment of hang-on treestands at ground level before using in a hunting environment.

5. Attach the top attachment strap first. Insert the Double J-Hook into the hanging tab on the far side of the stand. The hook portion of the Double J-Hook should be pointed outward with respect to the tree, as shown in **Figure 3**.

While holding the treestand to the tree with one hand, use the other hand to reach around the back-side of the tree and pull the top attachment strap around the tree. Insert the other Double J-Hook into the opposite hanging tab and pull the strap tight as shown in **Figures 3 and 4**. Secure the top strap by ratcheting down and ensure that there are at least 2 loops made over the barrel of the ratchet strap.

Figure 5 shows a full engagement of the upper tree V-bracket, and **Figure 6** shows a full engagement of the platform section against the tree.

⚠ WARNING

Correct tightening and adjustment of the Hanging Strap is critical. All treestand contact points **MUST BE IN CONTACT** with the tree before you step onto your stand!

⚠ WARNING

Using any Summit product, harness, or both, you acknowledge and accept the responsibility that you have read and understood all warnings and instructions (video and written) for the harness and treestand, and user acknowledges that the product is intended to be used with a properly worn and adjusted full body harness attached to the tree at all times after leaving the ground, and further acknowledges that the use of this product without a properly worn and adjusted full body harness attached to the tree at all times after leaving the ground is a misuse of the product. Any misuse (warned, noted, stated, or otherwise applied against in all warnings and instructions) of any Summit products is sole liability of the user which will relieve Summit Treestands LLC of ALL product and personal liabilities. If any questions, visit www.summitstands.com.





6. Attach the bottom cam buckle strap by placing the S-Hook of the free end into the receiving slot on the far side of the stand as shown in **Figure 7**. Now wrap the cam buckle end around the tree and place the S-hook in the receiving slot on the near side of the stand. There should not be any twists in the strap as it runs around the tree. Pull the strap tight as shown in **Figures 7 and 8**.

7. Attach the tether of your harness to the harness Tree Strap above the seat area of the Fixed Position Treestand. At this point you will be double connected to the tree. Now, disconnect your Lineman's Belt and climb up the climbing aid so that you can step DOWN into the foot platform area. **Note: You may need to slide the harness Tree Strap up so you can step onto the platform area safely.**

8. Flip the seat into the upward position. While being EXTREMELY careful, place one foot onto the center of the foot platform while holding onto the tree. Ensure the harness tree strap is above your head to limit the distance of fall if one would occur. Once the tree cleats have adhered to the tree and the platform does not move, place other foot onto platform area.

⚠ WARNING

Never bounce or jump on the foot platform in an attempt to secure the stand to the tree or for any other reason. Doing this can damage the treestand causing the product to be over-loaded, which could result in severe damage to the treestand, and could cause serious injury or death!

9. To exit the stand, carefully step out of the treestand and descend down the climbing aid until you can't go any lower below the foot platform while still attached by the Tether Strap.

10. Attach your Lineman's Belt to the tree below the treestand. Once secured, disconnect your Tether Strap and carefully descend down the tree using the Lineman's Belt. Never be disconnected from the tree for any reason, at any time.



DUAL AXIS™ SEAT

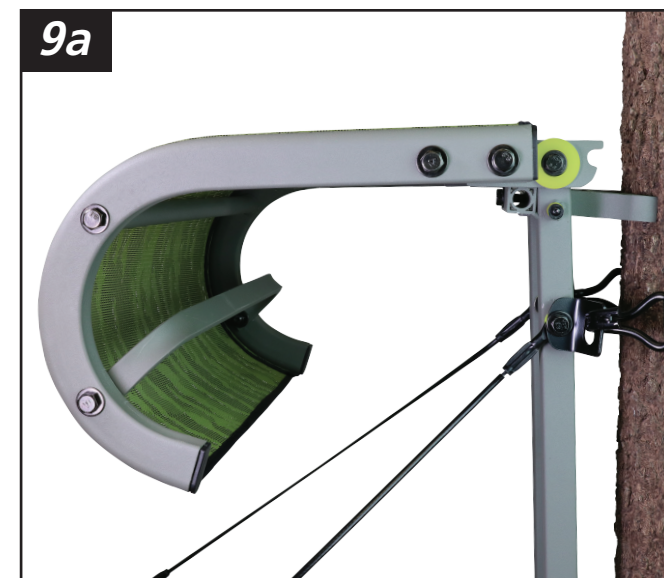
The sitting position is shown in **Figure 9 and 9b** and the standing position is shown in **Figures 11a and 11b**.

To move the seat into the standing rest position:

1. Rotate the seat as shown in **Figure 10** until the fully vertical as shown in **Figures 11a and 11**.
2. Once the seat is fully vertical, place a downward pressure along the vertical portion of the seat frame and ensure that the retention pin is fully contained as shown in **Figure 12**.

To move the seat from the standing rest position into the sitting position:

1. Grasp the seat frame on both sides and apply an upward vertical force until the seat bracket is disengaged from the retention pin as shown in **Figure 13**.
2. Rotate the seat as shown in **Figure 14** until the seat is in the sitting position shown in **Figures 9a and 9b**.



⚠ WARNING

NEVER adjust the straps or cables while on the Fixed Position Treestand! Check all straps prior to each use!

⚠ CAUTION

NEVER leave a hang-on treestand in a tree for more than two weeks at a time. Weather, animals and tree growth can damage the stand, attachment straps and buckles. **NEVER** use a treestand that has been left in a tree for more that two weeks at a time.





8 SAFE USE OF A FIXED POSITION TREESTAND AND FBFAHS

- It is **REQUIRED** to read, understand, and follow the Full Body Fall Arrest Harness System (FBFAHS) Summit Harness written and video instructions and warnings prior to use of a fixed position treestand. Hunt from the ground until you fully understand safe and proper use of the FBFAHS and fixed position treestand.
 - It is **REQUIRED** to use a FBFAHS at all times after leaving the ground!
 - When ascending to or descending from the fixed position treestand, you must be attached to the tree at all times. The Lineman's Belt strap is provided with the harness and treestand and it is **REQUIRED** to be used in conjunction with your FBFAHS.
 - **NEVER** be disconnected from the tree for any reason or at any time!
 - It is **REQUIRED** to use the double connection method of securing yourself to the tree with your FBFAHS and Lineman's Belt strap when entering your fixed treestand from your climbing aid or leaving your fixed position treestand to your climbing aid. The double connection method insures that you are attached to the tree at all times after leaving the ground. Refer to FBFAHS written and video warning and instructions for safe and proper use. **Refer to the section of the FBFAHS instruction booklet entitled "Fixed Position Treestands (Lineman's Belt Use)".**
 - **ALWAYS** step **DOWN** into your fixed position treestand from your climbing aid while being connected to the tree. **NEVER** be disconnected from the tree for any reason or at any time!
 - Before each use, inspection of treestand, climbing aid, FBFAHS, expiration tags, straps, ropes, cables, and all hardware must be done before leaving the ground or stepping onto/using the product(s).
1. Climb up the tree using your FBFAHS and Lineman's Belt strap pursuant to the written and video instructions provided with your FBFAHS.
 2. Once you arrive at your fixed position treestand, check all straps and cables on the fixed position for nicks, cuts, tears, fading, corrosion (rust), frayed webbing or frayed steel cable strands or other damage before stepping onto the platform. If any signs of damage are present, discontinue use immediately and hunt from the ground.
 3. If visual inspection finds no present damage, connect your Tether Tree strap to the tree above the fixed position treestand. Now you are double connected. Detach your Lineman's Belt and climb up above the foot platform so you can carefully step **DOWN** into the foot platform.
 4. Adjust the Tether Strap belt so that your tether (connected to your full body harness) is tight (no slack) while in a seated position. This will eliminate the distance of a fall if one would occur.
 5. While sitting down, carefully pull up your weapon (with weapon **UNLOADED** or un-cocked and barrel pointed to the ground) using a hoist rope without leaning over the side of the treestand. Never climb with a weapon.
 6. **DO NOT** jump or bounce on the foot platform. **NEVER** lean over the side of platform area or stand on the seat platform.
 7. Always enter your fixed position treestand with visible sunlight and **ALWAYS** exit your fixed position treestand before all visible sunlight is gone. **DO NOT** enter or exit your fixed position treestand in the dark where a light would be required.
 8. Exiting the fixed position treestand: Unload your weapon and lower it to the ground using a rope or hoist (with the muzzle pointed to the ground).
 9. Step **UP** and out of the fixed position treestand onto your climbing aid while still attached to the tree with your FBFAHS.
 10. Climb down your climbing aid until you cannot slide the Tether Belt strap down any further. While still being connected to the tree by the Tether Strap, attach and secure your Lineman's Belt strap to your FBFAHS and around the tree. Once securely attached to the tree through the Lineman's Belt, detach your Tether Strap and descend down the tree slowly and carefully using the Lineman's Belt strap.
 11. With both feet firmly on the ground, disengage your Lineman's Belt strap from the tree.
 12. For any questions or concerns on how to safely use your fixed position treestand and FBFAHS, contact Summit Treestands at www.summitstands.com. Always follow all DNR rules and regulations for hunting in your area.

HUNT SAFE...ALWAYS WEAR AND USE A FBFAHS!

9 TREESTAND REMOVAL

Remove the stand **at least** every two weeks. **Never leave a stand in a tree for more than two weeks.**

1. With the climbing aid properly attached to the tree, attach your Lineman's Belt to your FBFAHS. Climb up the climbing aid until you reach the Fixed Position Treestand.

NOTE: Check all straps/ropes of the climbing aid prior to each use.

2. Remove the lower foot platform strap first. Next, attach your hoist rope to the Fixed Position Treestand. Carefully, loosen the top belt strap enough so you can un-hook the belt strap from one side of the treestand while holding onto the treestand. Once un-hooked, carefully lower the treestand to the ground.
3. Carefully descend the tree using the Lineman's Belt of your FBFAHS using 3-points of contact.





Instructions relatives au siège à Deux Axes de Summit

SU82118

© 2021 Summit Treestands, LLC • PO Box 1295 • Birmingham, AL 35201
www.summitstands.com



SUMMIT



ATTENTION

VOUS DEVEZ LIRE TOUTES LES DIRECTIVES ÉCRITES ET REGARDER CETTE VIDÉO SUR LA SÉCURITÉ AVANT L'UTILISATION!



REGARDEZ CETTE VIDÉO SUR LA SÉCURITÉ AVANT L'UTILISATION!

Scannez →



ou Visitez → www.standsafety.com/s1

Scannez le code QR à l'aide de votre téléphone intelligent, tablette ou appareil similaire.

OU

Tapez l'adresse du site Web dans votre navigateur afin de pouvoir visionner une vidéo importante sur la sécurité avant d'utiliser ce produit.

SÉCURITÉ DU SUPPORT SUSPENDU



AVERTISSEMENT

LE FAIT DE NE PAS LIRE ET RESPECTER TOUS LES AVERTISSEMENTS ET TOUTES LES INSTRUCTIONS DU FABRICANT CONSTITUE UN MAUVAIS USAGE DE CE PRODUIT ET PEUT ENTRAÎNER DES BLESSURES GRAVES, VOIRE LA MORT!

- Avant l'utilisation, lisez, respectez et comprenez l'ensemble des instructions et des avertissements écrits et vidéographiques. Inspectez toutes les étiquettes d'expiration avant chaque utilisation. Si vous ne comprenez pas parfaitement comment utiliser de façon sécuritaire et adéquate le système de harnais complet contre les chutes (SHCC) ou le mirador, chassez à partir du sol! Le non-respect de tous les avertissements et de toutes les instructions peut entraîner des blessures graves, voire la mort!
- Quand vous chassez dans un mirador, vous pouvez tomber en tout temps après avoir quitté le sol! Toute chute peut entraîner des blessures graves, voire la mort! L'utilisation d'un système de harnais complet contre les chutes (SHCC) est nécessaire quand vous utilisez tout mirador. Si un SHCC n'est pas présent, chassez à partir du sol!
- L'utilisation de ce produit nécessite l'utilisation d'un système de harnais complet contre les chutes (SHCC) qui comprend une ceinture de monte et qui répond aux exigences de la méthode d'essai F2337. Cette dernière permet à l'utilisateur de rester attaché à l'arbre en tout temps pendant qu'il y monte et en descend, soit dès qu'il quitte le sol et jusqu'à ce qu'il y redescende. Le SHCC doit être utilisé et attaché à l'arbre avant d'accéder à la plateforme du mirador, et vous devez le porter et le garder attaché à l'arbre en tout temps dans le mirador jusqu'à ce que vous soyez redescendu au sol. Lisez et respectez toutes les instructions remises avec votre SHCC.
- La longueur de l'ancrage du harnais doit être la plus courte possible en tout temps. Il faut l'ajuster de façon que l'ancrage se trouve au-dessus de la tête, sans mou (bien serré) en position assise. Le non-respect de cette consigne peut causer la suspension sans possibilité de se rétablir sur le mirador. Soyez conscient des risques liés à la suspension dans un SHCC et du fait qu'une suspension prolongée dans un harnais peut s'avérer mortelle.
- Vous devez garder sur vous un appareil de signalisation comme un téléphone mobile, une radio, un sifflet, une fusée de signalisation ou un appareil de repérage individuel qui doit être disponible en tout temps. Indiquez toujours à quelqu'un l'emplacement où vous chassez si une urgence devait survenir. Si personne ne connaît votre emplacement de chasse et que vos efforts de communication échouent, vous devez avoir un plan personnel pour vous rétablir ou vous tirer d'affaire avant de monter dans l'arbre. La suspension prolongée dans un harnais peut s'avérer mortelle. Il est important de faire travailler les jambes en poussant contre l'arbre ou en faisant une autre forme d'exercice continu avec les jambes afin d'éviter que le sang ne s'accumule pendant la suspension. Les chasseurs dont le niveau de forme physique varie peuvent nécessiter des plans différents pour se rétablir ou se tirer d'affaire afin d'éviter les effets d'une suspension prolongée. Ayez un plan personnel et mettez-le en pratique en présence d'un adulte responsable avant de quitter le sol. Aucun plan de rétablissement ne fonctionnera pour tous les chasseurs dans chaque arbre et dans toutes les circonstances. Vous seul pouvez déterminer le meilleur plan de rétablissement pour votre situation de chasse, et vous devez disposer d'un tel plan adapté à la situation avant de quitter le sol. Chassez à partir du sol quand il est impossible de vous rétablir ou de vous tirer d'affaire seul.
- Si vous avez des questions ou des préoccupations à l'égard des instructions, des avertissements ou de l'utilisation adéquate, n'utilisez pas le mirador. Communiquez avec le fabricant. N'utilisez pas le mirador si vous ne comprenez pas bien comment faire une utilisation sécuritaire et adéquate. Conservez tous les avertissements et toutes les instructions pour examen ultérieur selon les besoins, pour examen par quiconque empruntera votre mirador et votre SHCC ou lors de la vente de ces articles. Utilisez tous les dispositifs de sécurité fournis avec votre mirador et votre SHCC.
- L'utilisation d'une ceinture de monte avec votre SHCC est nécessaire quand vous installez, utilisez ou retirez toute aide à la montée ou tout mirador à position fixe.
- Avant chaque utilisation, inspectez toutes les cordes ou sangles et toutes les sections d'échelle afin de vous assurer que celles-ci ne sont pas séparées. Assurez-vous que le sol sous l'aide à la montée est ferme et de niveau.
- Descendez toujours sur la plateforme pour les pieds de tout mirador à position fixe. Celui-ci doit toujours être installé sous la partie supérieure de l'aide à la montée.
- Quand vous utilisez un mirador à position fixe, ne vous détachez jamais de l'arbre, peu importe la raison. Employez une méthode de fixation à deux points (double) quand vous effectuez des manœuvres dans le mirador ou autour d'obstacles. Un SHCC est nécessaire en tout temps quand vous n'êtes plus sur le sol.
- Inspectez tous les câbles et toutes les sangles du mirador avant chaque utilisation ou avant de poser les pieds sur la plateforme. Le non-respect de cette consigne peut entraîner des blessures graves, voire la mort.
- N'utilisez pas ce produit avant de bien comprendre comment l'utiliser de façon sécuritaire et adéquate. Vous devez lire et respecter l'ensemble des instructions et des avertissements avant chaque utilisation! Rangez ces instructions dans un endroit sûr et étudiez-les périodiquement et au moins une fois par année. Assurez-vous que tous les utilisateurs ont lu ces instructions avant chaque utilisation.
- Inspectez le mirador et les câbles avant chaque utilisation pour y déceler de l'usure excessive, des déformations, de la corrosion ou d'autres dommages. Inspectez l'ensemble des sangles et des cordes pour y déceler des signes d'effilochage, de coupure, de déchirure, d'usure excessive ou de tout autre type de dommages. Cessez immédiatement l'utilisation si des dommages sont présents.
- Ne dépassez jamais la limite de poids nominale de ce produit. Cette limite comprend le poids de l'utilisateur et de tout l'équipement posé sur la plateforme.
- Informez toujours quelqu'un du lieu de chasse, de l'emplacement de la forêt et de la durée prévue de la chasse.
- Inspectez le mirador et tous les dispositifs de sécurité à chaque fois avant utilisation et ne stockez pas un treestand à l'extérieur lorsqu'il n'est pas utilisé.





- Remplacez l'ensemble des sangles et des câbles tous les deux (2) ans ou plus tôt en cas de dommages, entre autres, de l'effilochage, de la corrosion, des coupures, des déchirures, de l'abrasion, de la décoloration, des entailles ou tout signe selon lequel les sangles ou les câbles ont été usés ou exposés à des contraintes dues à une chute ou par tout autre événement, entre autres la retenue d'un poids excessif. Si l'un des dommages susmentionnés (ou tout autre dommage non mentionné) est présent, cessez immédiatement l'utilisation du produit!
- N'utilisez aucun mirador si celui-ci ou l'aide à la montée est couvert de la glace ou de la neige.
- Utilisez toujours trois (3) points de contact avec toute aide à la montée. Ne montez jamais quand vous portez quelque chose sur le dos ou dans les mains. Prenez votre temps, ne vous pressez pas!
- Avant chaque utilisation, assurez-vous de ce qui suit :
 - Aucun signe de corrosion n'est visible.
 - Les tubes ne présentent aucune fissure.
 - Les soudures ne présentent aucune fissure.
 - Aucun joint soudé n'est desserré.
- Toutes les sangles sont en bon état, sans signe d'effilochage, de coupures, d'entailles ou d'autres dommages, et elles n'ont pas été laissées dans un arbre pendant plus de deux (2) semaines. Si les sangles ont été laissées dans un arbre pendant plus de deux (2) semaines ou si elles sont âgées de deux (2) ans ou plus, n'utilisez pas le mirador. Communiquez avec le fabricant pour obtenir des sangles de rechange.

Si l'une des conditions susmentionnées n'est pas satisfaite, cessez immédiatement l'utilisation du produit!

- Ce produit est destiné à une utilisation par des adultes responsables âgés de 18 ans et plus. Aucune personne âgée de moins de 18 ans ne devrait utiliser ce produit.
- N'utilisez jamais un mirador ou un SHCC par mauvais temps, notamment en présence de pluie, de foudre, d'une tempête de vent, de neige, de grêle, de grésil ou de glace. Si l'un de ces éléments est présent, descendez prudemment et mettez fin à votre partie de chasse. Si vous constatez des signes de mauvais temps imminents à votre emplacement, descendez prudemment ou ne montez dans aucun mirador.
- Prenez toujours votre temps quand vous installez, utilisez ou retirez ce produit. Le fait de se hâter est la cause d'accidents qui peuvent entraîner de graves blessures, voire la mort!
- N'utilisez jamais le SHCC ou le mirador si vous vous sentez malade, nauséux ou étourdi, ou si vous souffrez d'un trouble médical qui peut entraîner un problème, par exemple une maladie cardiaque, des articulations qui se coincent, une fusion des vertèbres, etc., ou si vous n'êtes pas bien reposé.
- N'utilisez jamais ce produit ou un SHCC sous l'influence de drogues, d'alcool ou de médicaments sous ordonnance. Ceux-ci comprennent plusieurs types de médicaments contre le rhume ou la grippe achetés sans ordonnance à la pharmacie. Consultez toujours votre médecin au sujet des médicaments sous et sans ordonnance et de votre capacité physique quand vous avez consommé tout type de médicaments avant d'utiliser ce produit.
- N'utilisez pas ce produit à moins d'être en bonne forme physique, de ne présenter aucune limite physique et de vous être bien reposé la nuit précédente. Consultez toujours un médecin avant d'utiliser ce produit afin de vous assurer d'être en mesure de l'utiliser de façon sécuritaire et apte.
- N'utilisez pas ce produit si vous avez un historique de maladies cardiaques ou de problèmes pulmonaires sans d'abord consulter votre médecin pour assurer une utilisation sécuritaire et adéquate de ce produit.
- N'utilisez jamais un mirador dans un arbre mort, penché, malade ou dont l'écorce est lâche, ni sur un poteau électrique ou dans des arbres qui présentent des obstructions (comme des nœuds ou des branches) qui peuvent limiter l'usage ou la stabilité du mirador! Ne vous appuyez jamais sur une branche pour vous soutenir ou comme marche! N'utilisez aucun type d'arbre qui présente des obstructions qui peuvent limiter l'usage du mirador ou en causer l'instabilité.
- Ne sautez jamais sur le mirador, peu importe la raison. Autrement, vous pourriez endommager le mirador par surcharge, ce qui peut entraîner de graves blessures, voire la mort!
- Hissez toujours un arc, un sac à dos, une arme à feu ou tout autre équipement au moyen d'une corde ou d'un système de treuil, et ce, uniquement après vous être attaché dans le mirador. Les armes à feu doivent être déchargées quand elles sont hissées, la chambre ouverte et le canon orienté vers le sol!
- Ne modifiez jamais votre mirador de quelque façon que ce soit en y apportant des réparations, en remplaçant des pièces ou en modifiant, ajoutant ou fixant un quelconque objet, sauf si le fabricant l'autorise expressément par écrit!
- Pratiquez l'installation, l'ajustement et l'utilisation de votre mirador au sol avant de l'utiliser à des positions élevées!
- Ne vous penchez jamais en dehors du mirador ou par-dessus ses bords, peu importe la raison.
- Ne vous endormez pas dans votre mirador. Vous pourriez en tomber, ce qui peut entraîner de graves blessures, voire la mort!
- Ne coupez et ne cassez aucune branche pendant que vous êtes dans le mirador à une position élevée au-dessus du sol. Toute coupe doit se faire depuis le sol!! Il faut porter un SHCC en tout temps, dès qu'on utilise un mirador au-dessus du sol!
- Ne laissez pas ce produit dans un arbre pendant plus de deux (2) semaines consécutives. Les conditions météorologiques, des animaux, la croissance de l'arbre, des vandales ou d'autres conditions environnementales pourraient endommager le mirador et les sangles et ainsi nuire à leur intégrité. N'utilisez jamais un mirador qui se trouve dans un arbre depuis plus de deux semaines. Avant d'utiliser le mirador d'une autre personne, sachez depuis combien de temps le mirador est monté dans l'arbre. Si vous ne le savez pas, chassez à partir du sol!
- Avant chaque utilisation de votre mirador Summit, inspectez toujours le mirador, ses composants et le harnais pour déceler ce qui suit : des fissures, des déchirures, de l'usure au niveau des câbles, de l'abrasion, de la corrosion, des fractures, des bosses ou d'autres dommages qui auraient pu survenir pendant le transport, l'entreposage ou l'utilisation. Ne l'utilisez pas s'il est endommagé! Communiquez avec le service à la clientèle pour connaître la bonne procédure de réparation ou de remplacement.
- L'ensemble des instructions et des avertissements écrits et vidéo-graphiques, des sangles et du système de harnais complet doivent être rangés dans un endroit sûr, frais et sec. L'ensemble des instructions et des avertissements écrits et vidéo-graphiques doivent être passés en revue tous les ans. Le propriétaire du mirador est responsable de fournir tous les avertissements et toutes les instructions à quiconque emprunte ou achète le mirador. Aucun mirador n'est complet sans SHCC et ne devrait être utilisé sans celui-ci au-dessus du sol.
- Les couleurs et les motifs de camouflage du produit peuvent changer sans préavis. Votre produit peut ne pas être identique à celui affiché sur la boîte ou l'étiquette. Des couleurs ou des motifs de camouflage différents ne modifient pas les performances de ce produit. Toutes les mentions de poids et de hauteur du produit sont des valeurs approximatives et peuvent changer sans préavis.
- Ces produits sont destinés à une utilisation à l'extérieur dans la plupart des conditions météorologiques. Des entretiens et des inspections sont nécessaires pour assurer des années d'utilisation sans problème. Essayez toujours vos produits après chaque utilisation. Inspectez toujours le produit en entier avant et après chaque utilisation! Ne supposez jamais que toute partie qui peut avoir été endommagée ou usée convient à l'utilisation. Cessez immédiatement l'utilisation et communiquez avec Summit Treestands si vous avez des préoccupations ou des soupçons au sujet de votre produit.
- Le fait de laisser votre mirador à l'extérieur peut permettre aux tubes de se remplir d'eau, laquelle peut ensuite geler et causer la rupture ou l'éclatement des tubes. Toutes les sangles peuvent également se détériorer en raison des conditions environnementales, de la croissance de l'arbre ou d'une attaque par un animal. Il est nécessaire d'inspecter le mirador avant chaque utilisation! Toute partie du mirador dont les tubes sont déformés ou éclatés en raison du gel n'est pas protégée par la garantie, et il faut cesser immédiatement l'utilisation du mirador! Le non-respect de cette consigne peut entraîner des blessures graves, voire la mort! Les composants de rechange sont fournis au propriétaire à ses frais.

1 TAILLE DE L'ARBRE ET LIMITE DE POIDS

Taille minimale et maximale de l'arbre : diamètre de 20 à 50 cm (8 à 20 po)

Limites de poids : (comprend le poids du chasseur PLUS le poids de tout l'équipement dans le mirador)

NE DÉPASSEZ PAS CES LIMITES DE POIDS!

Poids nominal maximum de 136 kg (300 lb) :

SU82118 – Deux Axes

2 ÉTIQUETTES D'AVERTISSEMENT DU MIRADOR ET DES COMPOSANTS (À TITRE DE RÉFÉRENCE SEULEMENT)



ÉTIQUETTE D'AVERTISSEMENT

WARNING! FALL HAZARD! FALLS FROM HEIGHTS MAY RESULT IN SERIOUS INJURY OR DEATH!

ATTENTION! RISQUE DE CHUTE! LES CHUTES À PARTIR D'UNE SURFACE EN HAUTEUR PEUVENT PROVOQUER DES BLESSURES GRAVES OU MORTELLES!

AVERTISSEMENT - NE RETIREZ PAS CETTE ÉTIQUETTE! NEGLIGER CE LIEN DE COMPAGNIE PEUT ENTRAÎNER DES BLESSURES GRAVES OU MORTELLES. **AVERTISSEMENT - UTILISATION PEUT ENTRAÎNER DES BLESSURES GRAVES OU MORTELLES.** N'utilisez ce produit que si vous portez un harnais complet (système antichute) qui répond aux exigences de la méthode d'essai F2337. Vous devez utiliser une courroie décalquée de style monteur de ligne et un FHBA lors de l'installation et de la désinstallation de ce produit. Le système de harnais complet DOIT toujours être attaché à vous et à l'arbre pendant que vous êtes dans le mirador. Ne sautez jamais sur le mirador. Ne quittez PAS le niveau du sol. Ne laissez pas porter votre harnais complet peut entraîner des blessures graves ou mortelles. **POIDS LIMITE:** 300 lb. **ÉCHELLE DU DIAMÈTRE DE L'ARBRE:** de 8 à 20 pouces maximum.

USER MUST USE A CLIMBING BELT AND HARNESS when installing hang-on treestands!

L'UTILISATEUR DOIT UTILISER UNE COURROIE D'ESCALADE ET UN HARNAIS lors de l'installation de miradors suspendus!

INSTALL CLIMBING AIDS at least 24" above standing platform!

L'UTILISATEUR DOIT LIRE ET suivre les instructions du fabricant ainsi que REGARDER LA VIDÉO avant l'utilisation!

INSTALLER LES MARCHEPIEDS à au moins 24 pouces au-dessus de la plateforme!

HARNES TETHER AND CLIMBING BELT must be attached before entering or exiting the platform!

LA SANGLE DU HARNAIS ET LA COURROIE D'ESCALADE doivent être attachés avant d'entrer ou de sortir de la plate-forme!

STEP DOWN onto center of standing platform from climbing aid!

L'Utilisateur doit TOUJOURS PORTER UN HARNAIS et RESTER ATTACHÉ à l'arbre une fois qu'il ne porte plus au sol et descendre au centre de la plate-forme à partir du marche-pieds!

READ AND FOLLOW ALL WARNINGS AND INSTRUCTIONS BEFORE EACH USE!

LISEZ ET SUIVEZ TOUS LES AVERTISSEMENTS ET INSTRUCTIONS AVANT CHAQUE UTILISATION!

DO NOT LEAVE INSTALLED MORE THAN TWO WEEKS!

NE LAISSEZ PAS INSTALLÉ PENDANT PLUS DE DEUX SEMAINES!

PRACTICE AT GROUND LEVEL with another adult!

PRATIQUEZ AU NIVEAU DU SOL avec un autre adulte!

standsafety.com/s1
Scan or Visit / Scannez ou Visitez

USER MUST READ and follow manufacturer's instructions and **WATCH VIDEO** before use!

INSPECTEZ ET remplacez selon les instructions du fabricant **AVANT L'UTILISATION!**

Inspectez et remplacez selon les instructions du fabricant **AVANT L'UTILISATION!**

Inspectez et remplacez selon les instructions du fabricant **AVANT L'UTILISATION!**

PRIOR TO USE, inspect and replace per manufacturer's instructions!

Inspectez et remplacez selon les instructions du fabricant **AVANT L'UTILISATION!**

Inspectez et remplacez selon les instructions du fabricant **AVANT L'UTILISATION!**

USER MUST ALWAYS WEAR A HARNESS and STAY CONNECTED TO THE TREE once leaving the ground until returning to the ground!

Utilisateur doit TOUJOURS PORTER UN HARNAIS et RESTER ATTACHÉ à l'arbre une fois qu'il ne porte plus au sol et descendre au centre de la plate-forme à partir du marche-pieds!

NE LAISSEZ PAS CE PRODUIT DANS L'ARBRE POUR PLUS DE DEUX SEMAINES À LA FOIS. LA TEMPÉRATURE, LES ANIMAUX, LA CROISSANCE DE L'ARBRE, LE VANDALISME ET/OU AUTRES CONDITIONS ENVIRONNEMENTALES PEUVENT ENDOMMAGER LE PRODUIT ET SON INTÉGRITÉ. NE JAMAIS UTILISER UN MIRADOR QUI A ÉTÉ LAISSÉ DANS UN ARBRE POUR PLUS DE DEUX SEMAINES. VÉRIFIEZ TOUJOURS LE MIRADOR ET CES COMPOSANTES MINUTIEUSEMENT AVANT CHAQUE UTILISATION. ENTREPOSEZ LE PRODUIT DANS UN ENVIRONNEMENT SEC.

PRODUCT MEETS INDUSTRY STANDARD FOR QUALITY

TAMA
PARTS LISTING NUMBER

SUMMIT TREESTANDS, LLC
PO Box 1102
Birmingham, AL 35201
a PRADCO Outdoor Brands® Product
www.summitstands.com

iws
interactive warning systems

© 2020 Interactive Warning Systems Inc. All Rights Reserved. Protected under U.S. Patents 10325292 and other patents pending.
Tous droits réservés. Protégé par le brevet américain 10325292 et d'autres brevets en instance.

SANGLE SUPÉRIEURE À CLIQUET

- Vérifiez toujours cette courroie pour effilochages, déchirures, fissures, coupures, corrosion, usure excessive ou pour toute autre forme de dommage avant chaque utilisation! Cessez l'utilisation si vous remarquez ces dommages.
- Cette courroie est utilisée EXCLUSIVEMENT avec des miradors Summit tel que présentés dans le manuel d'instruction! N'utilisez PAS ce produit dans tout autre but.
- L'utilisation d'un système de harnais complet contre les chutes (SHCC) qui répond aux exigences de la méthode d'essai F2337 est requise à tout moment lors de l'utilisation de ce produit. Lisez et suivez les instructions du fabricant pour une utilisation sécuritaire.
- NE LAISSEZ PAS CE PRODUIT DANS L'ARBRE POUR PLUS DE DEUX SEMAINES À LA FOIS. LA TEMPÉRATURE, LES ANIMAUX, LA CROISSANCE DE L'ARBRE, LE VANDALISME ET/OU AUTRES CONDITIONS ENVIRONNEMENTALES PEUVENT ENDOMMAGER LE PRODUIT ET SON INTÉGRITÉ. NE JAMAIS UTILISER UN MIRADOR QUI A ÉTÉ LAISSÉ DANS UN ARBRE POUR PLUS DE DEUX SEMAINES. VÉRIFIEZ TOUJOURS LE MIRADOR ET CES COMPOSANTES MINUTIEUSEMENT AVANT CHAQUE UTILISATION. ENTREPOSEZ LE PRODUIT DANS UN ENVIRONNEMENT SEC.

AVERTISSEMENT LE NON-RESPECT DE TOUS LES AVERTISSEMENTS ÉNUMÉRÉS PEUT ENTRAÎNER DES BLESSURES GRAVES, VOIRE LA MORT. LISEZ, COMPRENEZ ET SUIVEZ TOUTES LES INSTRUCTIONS PAR ÉCRIT DU FABRICANT AVANT L'UTILISATION.

• Ce produit doit être jeté un (2) an de la date de vente au consommateur. Si vous ne jetez pas cette courroie selon les directives, de sérieuses blessures ou la mort peuvent survenir. Des courroies de remplacement peuvent être achetées à l'adresse suivante: www.summitstands.com.

MANUFACTURE EN: **Mois:**

FABRIQUÉ EN CHINE

SANGLE À BOUCLE À CAME INFÉRIEURE

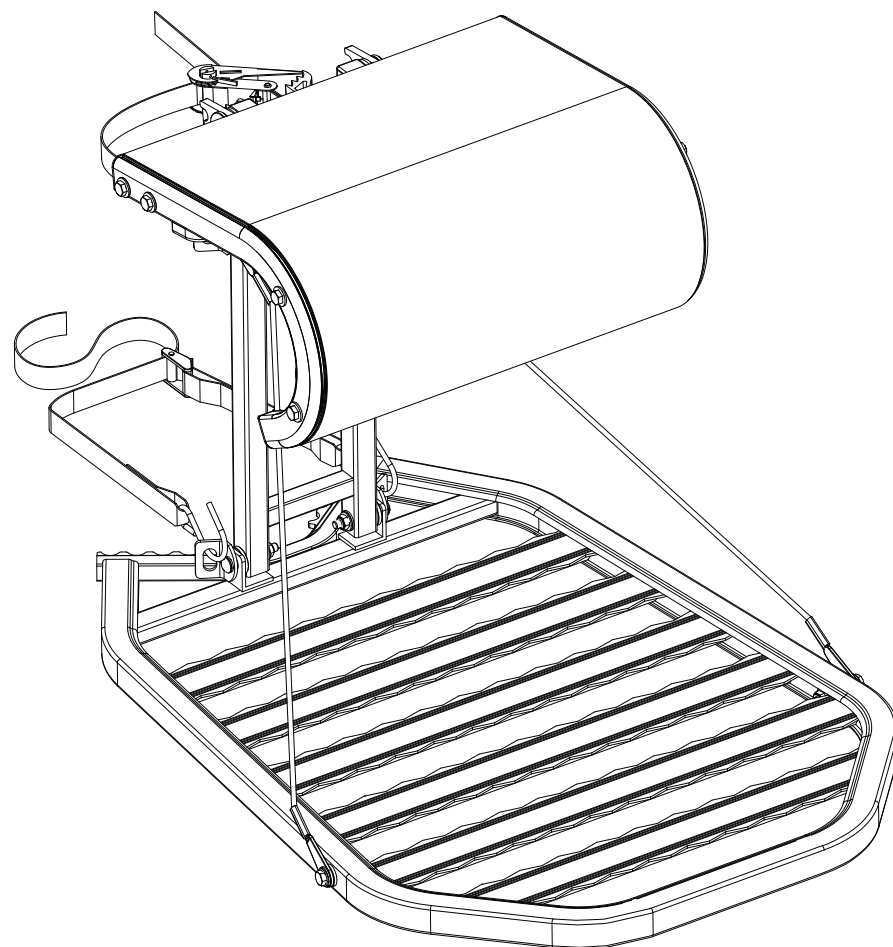
- Vérifiez toujours cette courroie pour effilochages, déchirures, fissures, coupures, corrosion, usure excessive ou pour toute autre forme de dommage avant chaque utilisation! Cessez l'utilisation si vous remarquez ces dommages.
- Cette courroie est utilisée EXCLUSIVEMENT avec des miradors Summit tel que présentés dans le manuel d'instruction! N'utilisez PAS ce produit dans tout autre but.
- L'utilisation d'un système de harnais complet contre les chutes (SHCC) qui répond aux exigences de la méthode d'essai F2337 est requise à tout moment lors de l'utilisation de ce produit. Lisez et suivez les instructions du fabricant pour une utilisation sécuritaire.
- NE LAISSEZ PAS CE PRODUIT DANS L'ARBRE POUR PLUS DE DEUX SEMAINES À LA FOIS. LA TEMPÉRATURE, LES ANIMAUX, LA CROISSANCE DE L'ARBRE, LE VANDALISME ET/OU AUTRES CONDITIONS ENVIRONNEMENTALES PEUVENT ENDOMMAGER LE PRODUIT ET SON INTÉGRITÉ. NE JAMAIS UTILISER UN MIRADOR QUI A ÉTÉ LAISSÉ DANS UN ARBRE POUR PLUS DE DEUX SEMAINES. VÉRIFIEZ TOUJOURS LE MIRADOR ET CES COMPOSANTES MINUTIEUSEMENT AVANT CHAQUE UTILISATION. ENTREPOSEZ LE PRODUIT DANS UN ENVIRONNEMENT SEC.

AVERTISSEMENT LE NON-RESPECT DE TOUS LES AVERTISSEMENTS ÉNUMÉRÉS PEUT ENTRAÎNER DES BLESSURES GRAVES, VOIRE LA MORT. LISEZ, COMPRENEZ ET SUIVEZ TOUTES LES INSTRUCTIONS PAR ÉCRIT DU FABRICANT AVANT L'UTILISATION.

• Ce produit doit être jeté un (2) an de la date de vente au consommateur. Si vous ne jetez pas cette courroie selon les directives, de sérieuses blessures ou la mort peuvent survenir. Des courroies de remplacement peuvent être achetées à l'adresse suivante: www.summitstands.com.

MANUFACTURE EN: **Mois:**

FABRIQUÉ EN CHINE

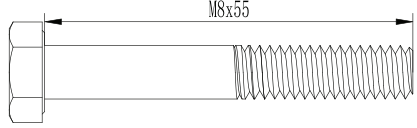
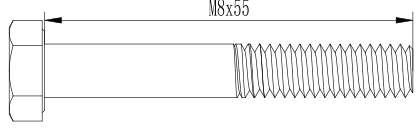


3 LISTE DE PIÈCES

NUMÉRO DE PIÈCE	QTÉ	DESCRIPTION	IMAGE
SU82118-01	1	Plateforme debout/Cadre de siège/Poteau vertical/Câbles/Sangle de sac à dos	
SU82118-02	1	Support d'arbre en V	
SU82118-03	2	Support de sangle	
SU82118-04	1	Sangle à boucle à came de 1 po avec crochets en S	
SU82118-05	1	Sangle à cliquet avec crochets en J doubles	
SU82118-06	1	Harnais de sécurité (SU18226-03)	

4 CONTENU DES SACS DE QUINCAILLERIE

(Tous les sacs sont dotés d'un numéro qui correspond à l'étape d'assemblage, et ils comprennent également les rondelles et les écrous nécessaires pour effectuer chaque étape)

Step 1	M8x60 (avec rondelle d'épaulement et rondelles de nylon et d'acier)		Qty 2
Step 2	M8x50 (avec rondelles d'acier)		Qty 1

5 OUTILS NÉCESSAIRES (FOURNIS)

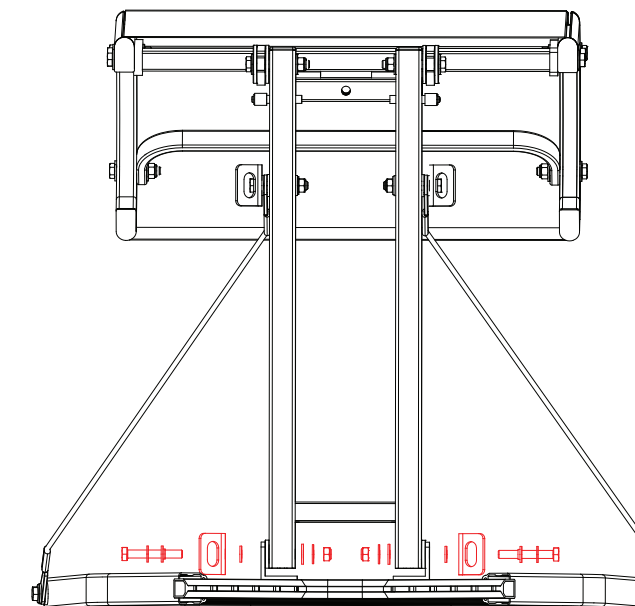
1	Clé M8/M6 (2 pièces)	
---	-------------------------	--

6 ASSEMBLAGE

1 Installation de l'ensemble de siège et de poteau vertical à la plateforme

Quincaillerie : 2 boulons M8x60
2 rondelles d'épaulement
4 rondelles de nylon
4 rondelles d'acier
2 écrous

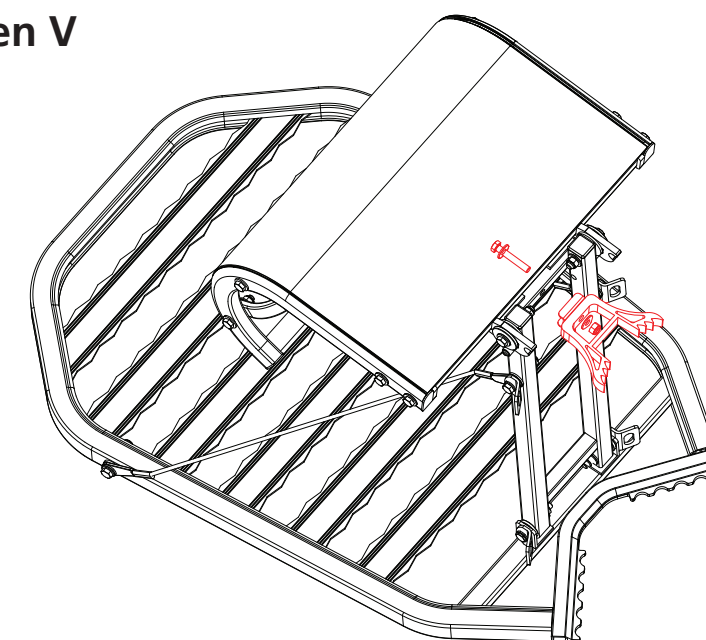
Alignez le poteau vertical de façon que les trous de boulon de la section inférieure soient alignés avec les trous de boulon correspondant dans la plateforme, comme illustré sur la figure. De chaque côté, assemblez la quincaillerie comme illustré sur la figure. En regardant le côté gauche, l'ordre d'assemblage de la quincaillerie, de gauche à droite, est le suivant : boulon, écrou d'acier, rondelle d'épaulement, support de sangle, rondelle de nylon, rondelle de nylon, rondelle d'acier et écrou. Le côté droit doit suivre l'ordre inversé.



2 Fixation du support d'arbre en V

Quincaillerie : 1 boulon M8x50
2 rondelles d'acier
1 écrou

Alignez le support d'arbre en V avec l'ensemble de poteau vertical et de siège, comme illustré sur la figure, puis faites-en l'assemblage à l'aide de la quincaillerie fournie.



7 INSTALLATION

⚠ AVERTISSEMENT

Lors de la suspension, de l'ascension, de l'utilisation ou de la descente de tout mirador à position fixe, un système de harnais complet contre les chutes (SHCC) et la ceinture de monteur fournie sont obligatoires et exigés. Il faut porter un SHCC et le fixer à l'arbre en tout temps dès qu'on a quitté le sol. **NE JAMAIS** essayer d'installer, d'utiliser ou de retirer un mirador à position fixe sans être stabilisé par une ceinture de monteur.

1. Choisissez un arbre droit et sain, sans obstruction (branches), et attachez une aide à la montée ou des bâtons d'ascension conformément aux directives du fabricant.
2. Assurez-vous que l'extrémité libre de la sangle à cliquet est bien insérée dans le barillet de la sangle à cliquet, comme illustré à la **figure 1**.
3. Au moyen du SHCC et d'une ceinture de monteur, et conformément aux instructions relatives à ces derniers, montez dans l'aide à la montée ou les bâtons d'ascension jusqu'à ce que vous ayez atteint la hauteur où vous souhaitez suspendre le mirador à position fixe.



⚠ AVERTISSEMENT

L'emplacement de la plateforme doit **TOUJOURS** être inférieur à votre aide à la montée afin que vous puissiez descendre sur la plateforme du mirador à position fixe. Voir la **Figure 18**.

⚠ AVERTISSEMENT

Les aides à la montée (échelles à bâtons, échelles sectionnelles, marches, etc.) **DOIVENT SE PROLONGER AU-DESSUS** de la position finale de la plateforme suspendue afin que l'utilisateur puisse descendre au centre de la plateforme depuis l'aide à la montée. Descendez **TOUJOURS** de l'aide à la montée sur la plateforme. N'essayez **JAMAIS** de monter sur la plateforme depuis une aide à la montée fixée sous la plateforme.

4. Hissez prudemment le mirador à position fixe à l'aide d'un treuil ou d'une corde.

⚠ AVERTISSEMENT

Utilisez **TOUJOURS** une corde pour soulever ou abaisser le mirador. Ne montez **JAMAIS** avec un quelconque objet sur le dos.



⚠ AVERTISSEMENT

Entraînez-vous à fixer des trépieds suspendus au niveau du sol avant de les utiliser dans un environnement de chasse.

5. Fixez d'abord la sangle de fixation supérieure. Insérez le crochet en J double dans la languette de suspension sur le côté éloigné du mirador. La section formant crochet du crochet en J double doit être orientée vers l'extérieur par rapport à l'arbre, comme illustré à la **figure 3**.

Tout en retenant le mirador contre l'arbre avec une main, utilisez l'autre main pour atteindre derrière l'arbre et tirez la sangle de fixation supérieure autour de l'arbre. Insérez l'autre crochet en J double dans la languette de suspension opposée et serrez la sangle, comme illustré aux **figures 3 et 4**. Fixez la sangle supérieure à l'aide du mécanisme à cliquet et assurez-vous qu'il y a au moins deux enroulements autour du barillet de la sangle à cliquet.

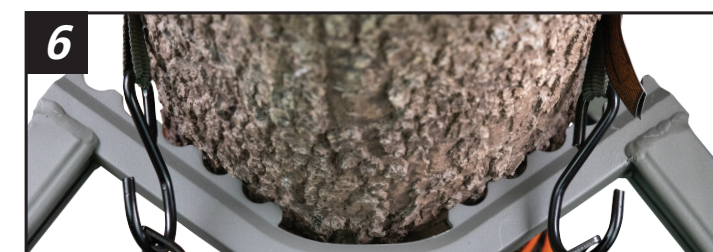
La **figure 5** illustre l'engagement complet du support d'arbre en V supérieur, et la **figure 6** illustre l'engagement complet de la section de plateforme contre l'arbre.

⚠ AVERTISSEMENT

Le serrage et l'ajustement adéquats de la sangle de suspension sont essentiels. Tous les points de contact du mirador **DOIVENT ÊTRE EN CONTACT** avec l'arbre avant que vous ne montiez sur votre mirador!

⚠ AVERTISSEMENT

Pour utiliser un produit Summit, un harnais ou les deux, vous reconnaissez et acceptez la responsabilité d'avoir lu et compris toutes les instructions et tous les avertissements (sur vidéo et à l'écrit) relatifs au harnais et au mirador, et l'utilisateur reconnaît que le produit est destiné à être utilisé avec un harnais complet, porté et ajusté adéquatement, attaché à l'arbre en tout temps après avoir quitté le sol, et il reconnaît également que l'utilisation de ce produit sans harnais complet, porté et ajusté adéquatement, attaché à l'arbre en tout temps après avoir quitté le sol constitue un usage abusif du produit. L'utilisateur est seul responsable en cas d'usage abusif (indiqué ou non à l'encontre des avertissements et des instructions) d'un produit Summit, qui décharge Summit Treestands LLC de TOUTE responsabilité relative au produit ou personnelle. Pour toute question, consultez le site www.summitstands.com.





6. Attach the bottom cam buckle strap by placing the S-Hook of the free end into the receiving slot on the far side of the stand as shown in **Figure 7**. Now wrap the cam buckle end around the tree and place the S-hook in the receiving slot on the near side of the stand. There should not be any twists in the strap as it runs around the tree. Pull the strap tight as shown in **Figures 7 and 8**.



7. Attach the tether of your harness to the harness Tree Strap above the seat area of the Fixed Position Treestand. At this point you will be double connected to the tree. Now, disconnect your Lineman's Belt and climb up the climbing aid so that you can step DOWN into the foot platform area.
Note: You may need to slide the harness Tree Strap up so you can step onto the platform area safely.



8. Flip the seat into the upward position. While being EXTREMELY careful, place one foot onto the center of the foot platform while holding onto the tree. Ensure the harness tree strap is above your head to limit the distance of fall if one would occur. Once the tree cleats have adhered to the tree and the platform does not move, place other foot onto platform area.

⚠ WARNING

Never bounce or jump on the foot platform in an attempt to secure the stand to the tree or for any other reason. Doing this can damage the treestand causing the product to be over-loaded, which could result in severe damage to the treestand, and could cause serious injury or death!

9. To exit the stand, carefully step out of the treestand and descend down the climbing aid until you can't go any lower below the foot platform while still attached by the Tether Strap.

10. Attach your Lineman's Belt to the tree below the treestand. Once secured, disconnect your Tether Strap and carefully descend down the tree using the Lineman's Belt. Never be disconnected from the tree for any reason, at any time.

⚠ WARNING

NEVER adjust the straps or cables while on the Fixed Position Treestand! Check all straps prior to each use!

⚠ CAUTION

NEVER leave a hang-on treestand in a tree for more than two weeks at a time. Weather, animals and tree growth can damage the stand, attachment straps and buckles. **NEVER** use a treestand that has been left in a tree for more that two weeks at a time.

SIÈGE À DEUX AXES™

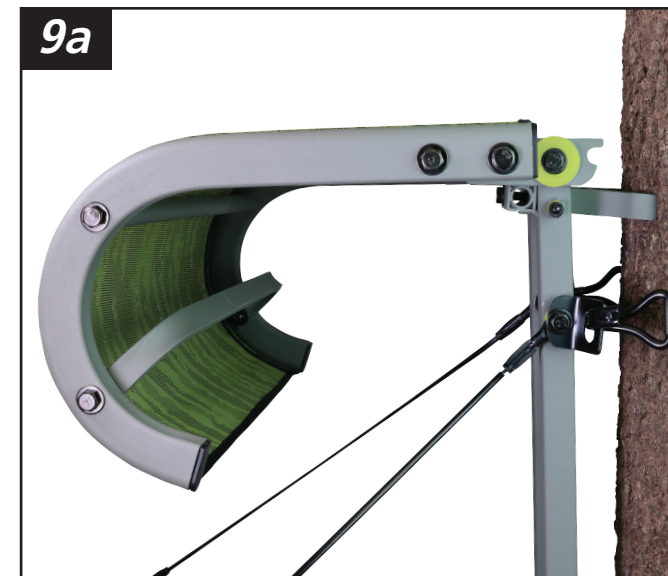
La position assise est illustrée à la **figures 9a et 9b**, et la position debout, à la **figures 11a et 11b**.

Pour déplacer le siège à la position de repos debout :

1. Faites tourner le siège comme illustré à la **figure 10** jusqu'à ce qu'il soit entièrement à la verticale, comme illustré à la **figures 11a et 11b**.
2. Une fois le siège entièrement à la verticale, exercez une pression vers le bas le long de la section verticale du cadre de siège et assurez-vous que la goupille de retenue est entièrement confinée, comme illustré à la **figure 12**.

Pour déplacer le siège de la position de repos debout à la position assise :

1. Agrippez les deux côtés du cadre de siège et exercez une force vers le haut à la verticale jusqu'à ce que le support de siège se désengage de la goupille de retenue, comme illustré à la **figure 13**.
2. Faites tourner le siège, comme illustré à la **figure 14**, jusqu'à ce qu'il atteigne la position assise illustrée à la **figures 9a et 9b**.





8 UTILISATION SÉCURITAIRE D'UN MIRADOR À POSITION FIXE ET D'UN SHCC

- Il est **OBLIGATOIRE** de lire, comprendre et respecter les instructions et avertissements écrits et vidéographiques du harnais Summit (SU18227) du système de harnais complet contre les chutes (SHCC) avant l'utilisation d'un mirador à position fixe. Chassez à partir du sol tant que vous ne comprenez pas parfaitement comment utiliser de façon sécuritaire et adéquate le SHCC et le mirador à position fixe.
- Il est **OBLIGATOIRE** d'utiliser un SHCC en tout temps après quitté le sol!
- Quand vous montez dans un mirador à position fixe ou que vous en descendez, vous devez être attaché à l'arbre en tout temps. La ceinture de monteur est fournie avec le harnais et le mirador, et son port est **OBLIGATOIRE** en combinaison avec votre SHCC.
- Ne vous détachez **JAMAIS** de l'arbre, peu importe la raison!
- Il est **OBLIGATOIRE** d'utiliser la méthode de fixation double pour vous attacher à l'arbre avec votre SHCC et votre ceinture de monteur quand vous entrez dans votre mirador fixe depuis votre aide à la montée ou quand vous quittez le mirador pour grimper dans votre aide à la montée. La méthode de fixation double garantit que vous êtes attaché à l'arbre en tout temps après avoir quitté le sol. Reportez-vous aux instructions et aux avertissements écrits et vidéographiques de votre SHCC pour en connaître l'utilisation sécuritaire et adéquate. Reportez-vous à la section du livret d'instructions du SHCC intitulée « Miradors à position fixe (utilisation de la ceinture de monteur) ».
- **DESCENDEZ TOUJOURS** sur votre mirador à position fixe depuis votre aide à la montée pendant que vous êtes attaché à l'arbre. Ne vous détachez **JAMAIS** de l'arbre, peu importe la raison!
- Avant chaque utilisation, il faut inspecter le mirador, l'aide à la montée, le SHCC, les étiquettes d'expiration, les sangles, les cordes, les câbles et toute la quincaillerie, et ce, avant de quitter le sol, ou de monter sur / d'utiliser les produits.

1. Montez dans l'arbre à l'aide de votre SHCC et de votre ceinture de monteur conformément aux instructions écrites et vidéographiques fournies avec votre SHCC.
2. Une fois arrivé au mirador à position fixe, vérifiez toutes les sangles et tous les câbles du mirador pour y déceler des entailles, des coupures, des déchirures, de la décoloration, de la corrosion (rouille), des sangles ou des câbles d'acier effilochés ou d'autres signes de dommage avant de descendre sur la plateforme. Si des signes de dommage sont présents, cessez immédiatement l'utilisation et chassez à partir du sol.
3. Si l'inspection visuelle ne permet pas de relever des dommages, attachez votre sangle d'ancrage à l'arbre au-dessus du mirador à position fixe. Vous êtes maintenant attaché à deux points. Détachez votre ceinture de monteur et montez au-dessus de la plateforme afin de pouvoir y **DESCENDRE**.
4. Ajustez la ceinture de la sangle d'ancrage afin que votre ancrage (attaché à votre harnais complet) soit serré (pas de mou) quand vous êtes en position assise. Cette mesure permet d'éliminer la distance d'une chute, le cas échéant.
5. En position assise, hissez prudemment votre arme (**DÉCHARGÉE** ou non armée, le canon orienté vers le sol) à l'aide d'une corde, sans vous pencher par-dessus le bord du mirador. Ne montez jamais avec une arme.
6. **NE sautez PAS** sur la plateforme. **NE** vous penchez **JAMAIS** par-dessus le bord de la plateforme et **NE** vous tenez **JAMAIS** debout sur la plateforme du siège.
7. Montez toujours dans votre mirador à position fixe à la lumière du soleil, et quittez **TOUJOURS** votre mirador avant qu'il n'y ait plus de soleil. N'entrez **PAS** dans le mirador et ne le quittez **PAS** à la noirceur quand une lumière est nécessaire.
8. Pour quitter le mirador à position fixe : déchargez votre arme et abaissez-la au sol à l'aide d'une corde ou d'un treuil (le canon orienté vers le sol).
9. **MONTEZ** dans l'aide à la montée pour sortir du mirador à position fixe tout en demeurant attaché à l'arbre avec votre SHCC.
10. Descendez votre aide à la montée jusqu'à ce qu'il ne soit plus possible de faire glisser votre sangle d'ancrage vers le bas. Tout en demeurant attaché à l'arbre au moyen de la sangle d'ancrage, attachez solidement votre ceinture de monteur à votre SHCC et autour de l'arbre. Une fois bien attaché à l'arbre par la ceinture de monteur, détachez votre sangle d'ancrage et descendez de l'arbre lentement et prudemment à l'aide de la ceinture de monteur.
11. Les deux pieds bien posés au sol, détachez votre ceinture de monteur de l'arbre.
12. Pour toute question ou préoccupation au sujet de l'utilisation sécuritaire de votre mirador à position fixe et de votre SHCC, communiquez avec Summit Treestands à l'adresse www.summitstands.com. Respectez toujours l'ensemble des règles et des règlements de l'organisme gouvernemental responsable des ressources naturelles de votre région.

CHASSEZ EN TOUTE SÉCURITÉ... PORTEZ ET UTILISEZ TOUJOURS UN SHCC!

9 RETRAIT DU MIRADOR

Retirez le mirador au moins une fois toutes les deux semaines. Ne laissez jamais un mirador dans un arbre pendant plus de deux semaines.

1. Avec l'aide à la montée bien fixée à l'arbre, attachez votre ceinture de monteur à votre SHCC. Montez l'aide à la montée jusqu'à ce que vous ayez atteint votre mirador à position fixe.

REMARQUE : vérifiez toutes les sangles et toutes les cordes de l'aide à la montée avant chaque utilisation.

2. Retirez d'abord la sangle de la plateforme inférieure. Ensuite, attachez votre corde de levage au mirador à position fixe. Desserrez prudemment la sangle à boucle supérieure suffisamment pour pouvoir retirer le crochet de la sangle à boucle d'un côté du mirador tout en vous retenant sur le mirador. Une fois le crochet retiré, abaissez prudemment le mirador jusqu'au sol.
3. Descendez prudemment de l'arbre à l'aide de la ceinture de monteur de votre SHCC en utilisant trois points de contact.





SUMMIT

