

Aluminum Post Mount

Installation Instructions

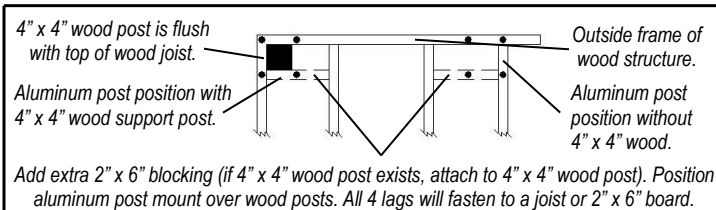
- It is the responsibility of the installer to meet all code and safety requirements, and to obtain all required building permits. The installer should determine and implement the installation techniques appropriate for each unique installation situation. Digger Specialties, Inc. and its distributors shall not be held liable for improper or unsafe installations.

Aluminum Post w/ Adjustable Plate

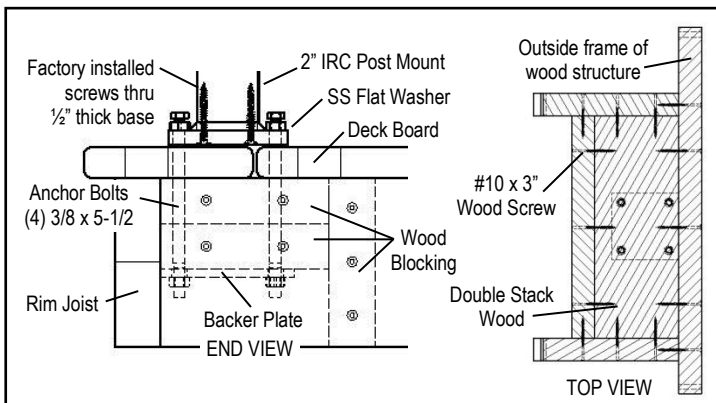
NOTE: The installer is responsible to have the substructure strong enough to support the post for what it is rated.

IRC Wood Installation

- Place the (2) stainless steel shims below the plate under the leveling bolts.
- Option 1:** Fasten aluminum post to wood surface using (4) 3/8" x 5" or longer stainless-steel fasteners (not included). If you do not use stainless steel fasteners, you **must** use (4) 3/8" - 5/8" stainless steel flat washers (included) to create separation between the fastener and the plate.
WARNING: When installing the aluminum post on top of a wood structure, the 5" lags MUST be lagged into at least 4" of solid wood! It will not be strong enough if it is fastened into a 5/4" or a 1 1/2" thick deck board! Below is an example of how to design the wood structure to accept the aluminum post. Any other way must meet or exceed these qualifications.



- Option 2:** Attach wood blocking to substructure with #10 x 3" wood screws. Fasten aluminum post using (4) 3/8" x 5 1/2" stainless steel bolts (not included) through aluminum backer plate (sold separately) as shown below. If you do not use stainless steel bolts you **must** use (4) 3/8" - 5/8" stainless steel flat washers (included) to create separation between the fastener and the plate.

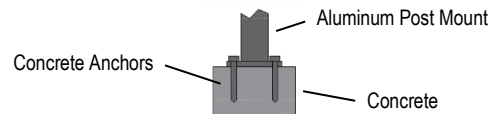


- Use a 1/2" open end wrench to level aluminum post with the leveling bolts on the welded plate.
- Place cap on top of post, ensuring that it is aligned properly and level before gently tapping with a rubber mallet. (Cap may break if not set on post properly.)

Aluminum Post w/ Adjustable Plate Cont'd

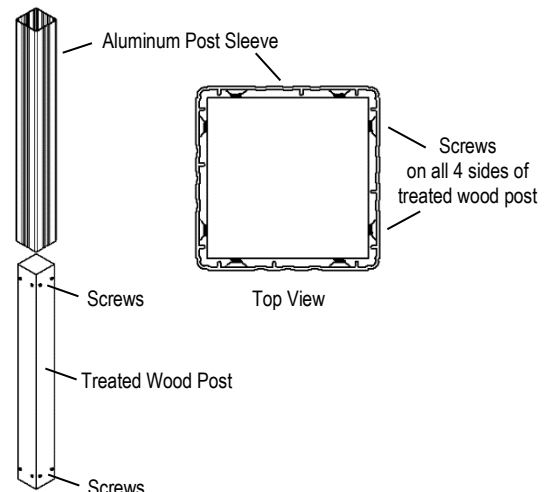
IRC/IBC Concrete Installation

- Place the (2) stainless steel shims below the plate under the leveling bolts.
- Fasten aluminum post to concrete using (4) 3/8" x 3" or longer concrete anchors (anchors not included.)
- Use a 1/2" open end wrench to level aluminum post with the leveling bolts on the welded plate.
- Place cap on top of post, ensuring that it is aligned properly and level before gently tapping with a rubber mallet. (Cap may break if not set on post properly.)



Aluminum Post Sleeve

- If using an aluminum post sleeve over a treated wood post a protective barrier must be placed between the treated wood post and the inside of the aluminum post sleeve. This can be accomplished by placing four screws (not included) on each side of treated wood post so that inside of aluminum post sleeve does not touch treated wood post. If the aluminum post sleeve is being used on a treated wood deck, make sure that the bottom end of aluminum post sleeve is painted. **Note: It is important to eliminate any contact of raw aluminum to any treated wood.**
- Place cap on top of post, ensuring that it is aligned properly and level before gently tapping with a rubber mallet. (Cap may break if not set on post properly.)



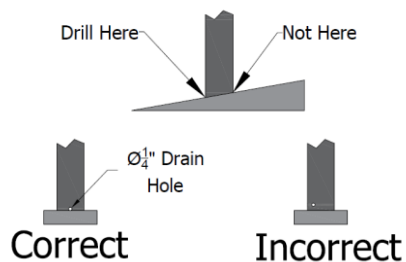
Aluminum Post Mount

Installation Instructions

- It is the responsibility of the installer to meet all code and safety requirements, and to obtain all required building permits. The installer should determine and implement the installation techniques appropriate for each unique installation situation. Digger Specialties, Inc. and its distributors shall not be held liable for improper or unsafe installations.

Core Drilled Post

1. Stay in from edge of concrete pad the distance required by the local code authority to prevent "blowout" of concrete pad edge.
2. Cut or drill hole into concrete at least 1" larger than post diameter.
3. Depth of hole to be 2" to 4" deep into concrete. Increasing depth of hole will anchor post more securely. (Please check with your local code authority as local code requirements may vary).
4. Cut aluminum post to length from bottom end of post.
5. Use anchoring cement or epoxy to set post.
6. When core drilling any post product where water can build up, the installer is responsible to drill a 1/4" weep hole in post as close to the bottom of the post by concrete as possible. If there is no weep hole, you may have damage from moisture build up and freezing thus potentially voiding the product warranty.



7. Attach caps. Lightly tap with rubber mallet if needed.

Note: For Fascia Mount installation please see HD Fascia Mount Instructions located on the DSI website.