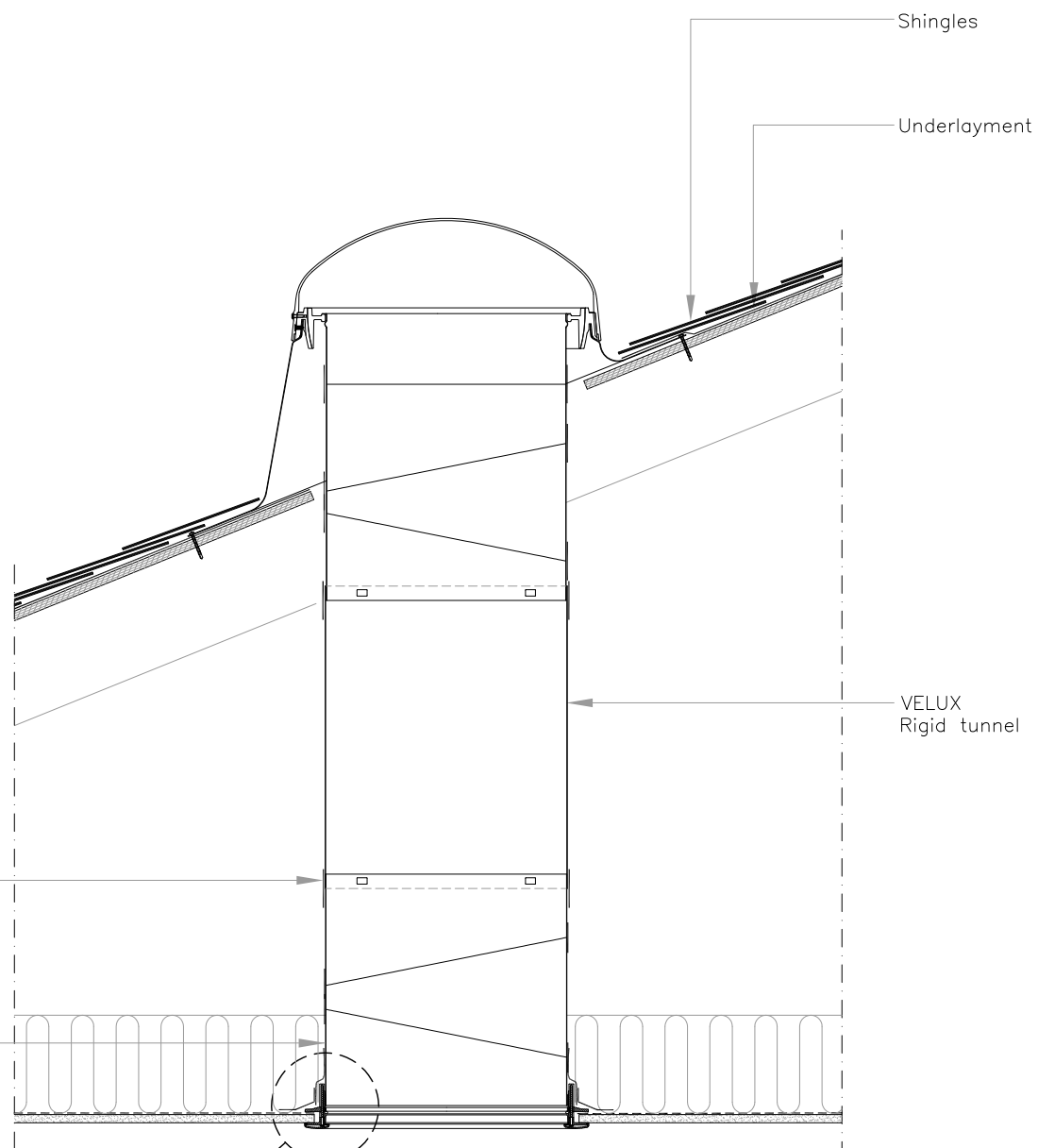
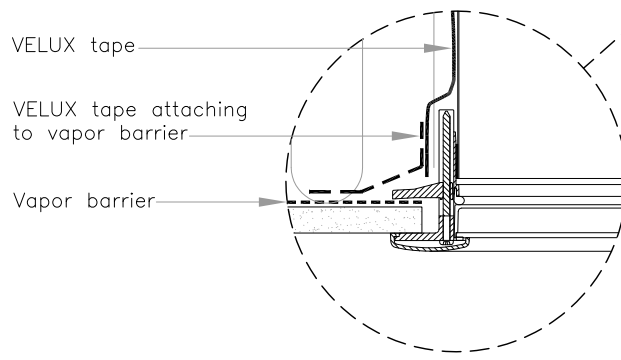


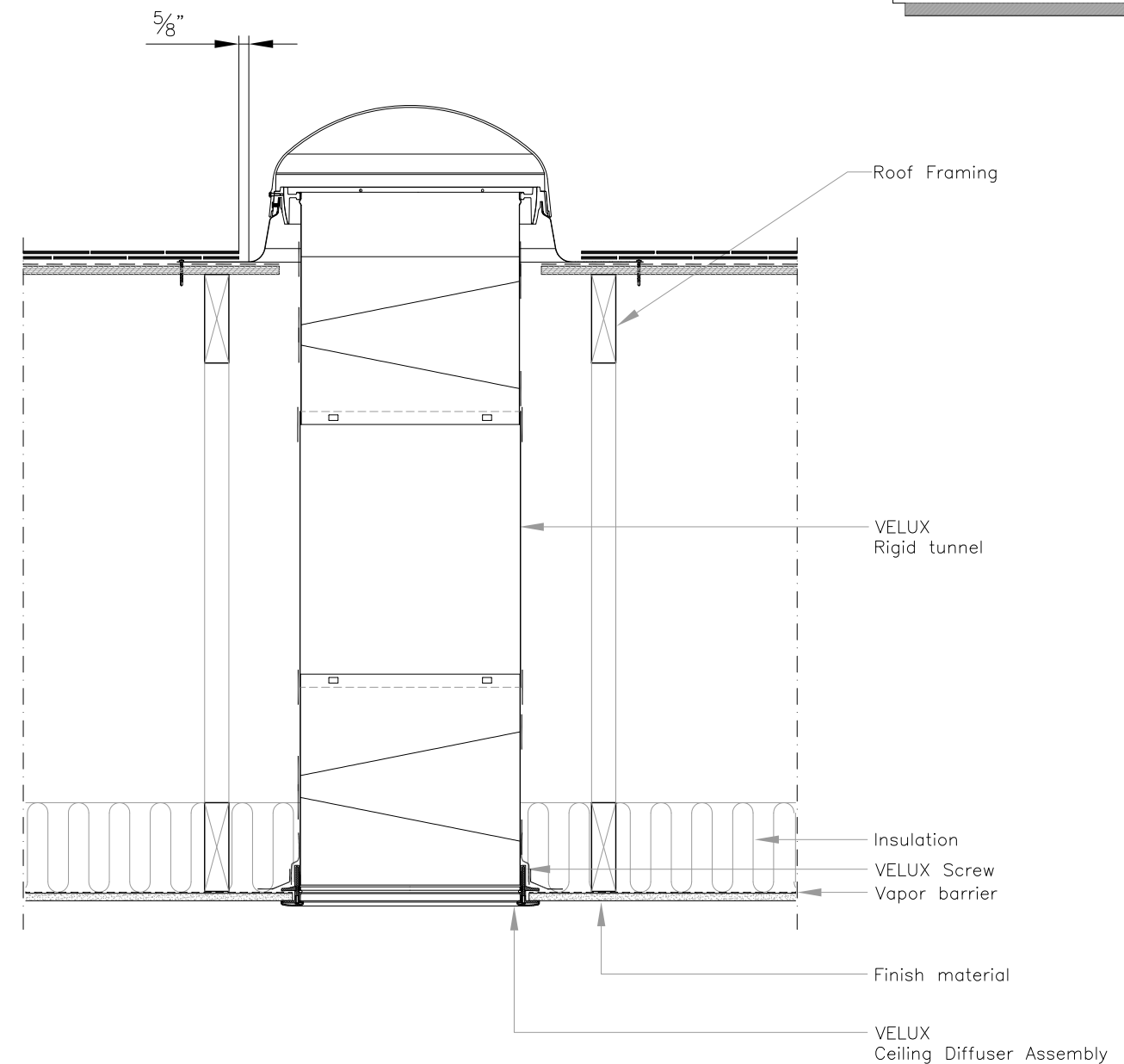
ELEVATION



SECTION A-A



3:1



SECTION B-B

**TMR**

Asphalt shingles

14° - 60°  
3:12 - 20:12

	VELUX 1418 Evans Pond Road Greenwood, SC 29649 1-800-88-VELUX www.VELUXUSA.com		Name	Date
	Sky-Product Management		Drawn by JDH Checked by CJ, JL	Dec 2013 Dec 2013
TMR 014 - VELUX SUN TUNNEL for Asphalt Shingle Roof			Drawing No. TMR-01-1213	

This drawing is an instrument of service and is provided for informational use only.