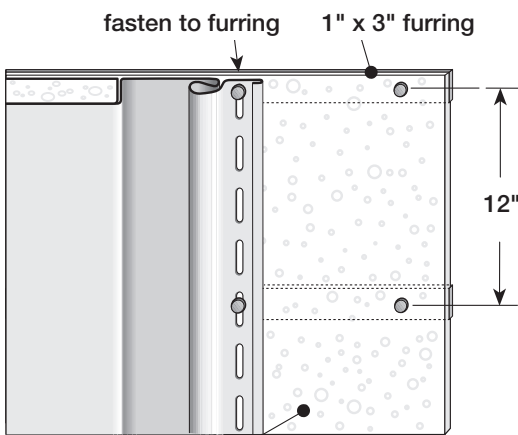
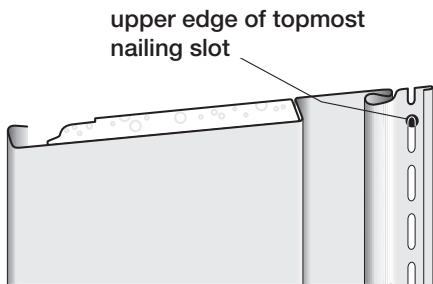
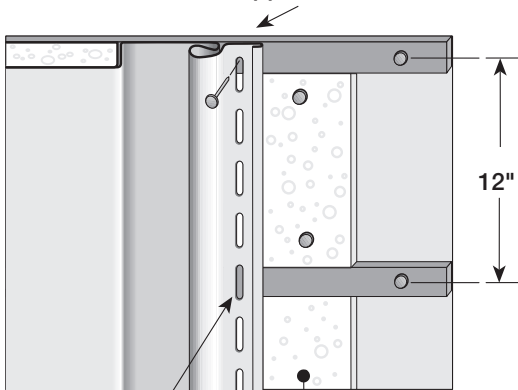


# Reverse Board & Batten

## Vertical Siding Installation Instructions



always position topmost nail in topmost full nail slot with vertical applications



### Preparing Wall Surfaces

The key requirement for Reverse Board & Batten vertical siding is to start with a smooth, level and rigid substrate (plywood, wood composite, rigid foam or fiber sheathing).

**NOTE:** Never install vinyl siding over open furring strips or studs. Always check with your local building code official.

With vertical siding, you have to provide solid fastening points along the vertical edge of the siding panel. The need for this step depends on the type of substrate used and the nature of the construction project.

With new construction or remodeling using plywood or wood composite, there are no additional steps. You can fasten to plywood and wood composite substrates at any point as long as you do not exceed 12" on center.

In new construction using rigid foam or fiber sheathing, you must install solid wood nailer strips horizontally to studs before applying sheathing. Use 1" x 3" wood furring positioned 12" o.c.

When remodeling over existing wood siding, you must apply rigid foam or fiber sheathing, shimming if necessary to create a level surface.

When remodeling over brick, block, stucco or irregular wall surfaces, apply furring strips horizontally to create a level surface; then apply rigid foam or fiber sheathing. See "Tips for applying wood furring" and "Applying over stucco" in the CertainTeed Installation Manual. When reviewing the illustrations in these sections, remember that furring strips must be applied horizontally.

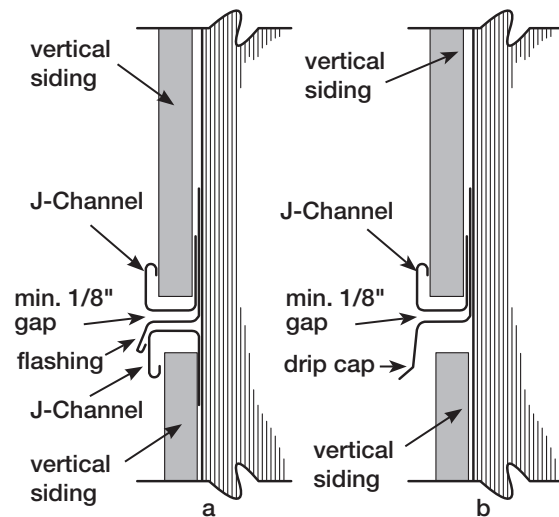
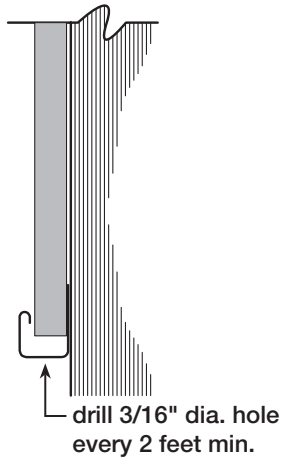
### Cornerposts

Install outside and inside cornerposts using dimensions and procedures described in the CertainTeed Installation Manual.

**NOTE:** Unlike the preparation for horizontal siding, do not install a starter strip for vertical siding.

## Top and Bottom J-Channel

J-Channel is used to frame the top and bottom of the vertical panels. Snap a base line 1" above the low point of sheathing. Apply a 3/4-channel along the top and bottom of the walls to receive the siding panels. Drill drainage holes every 2 feet along the bottom J-Channel prior to installation. Reference CertainTeed Installation Manual for further details.



an allowance for expansion. Snap a chalk line parallel to the bottom J-Channel, at a height equal to your measurement. Position the H Bar/ Lineal so the interior peak of the lower channel runs along the chalk line. Leave a minimum 3/8" gap between H Bar/ Lineal and cornerposts when the ambient temperature is higher than 40°F. When the ambient temperature is below 40°F, leave a 1/2" gap.

If necessary, overlap lineals 1-1/4".

## Transitions

If a wall requires more than one course of siding, you can proceed in one of three ways:

Use two lengths of J-Channel, back-to-back, with flashing, at the joint between the two courses (illustration a).

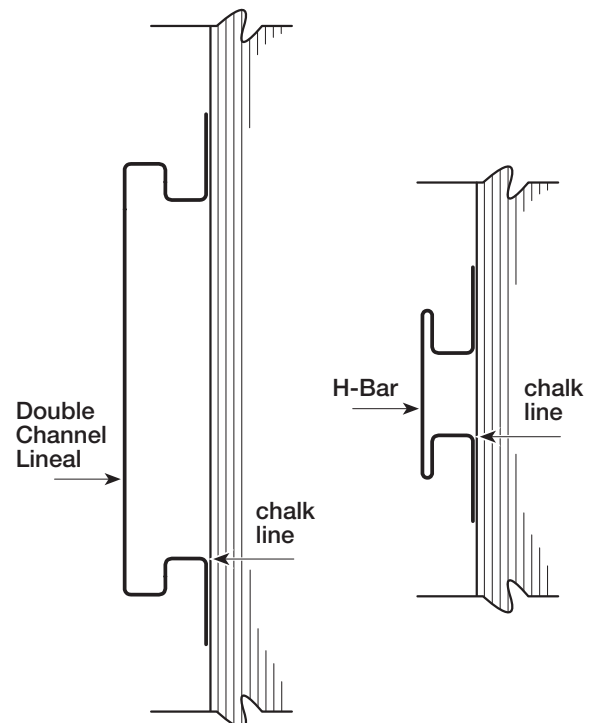
Use a combination of one length of J-Channel and one length of drip cap (illustration b).

Use a H Bar Trim or a double-channel lineal and flashing where required.

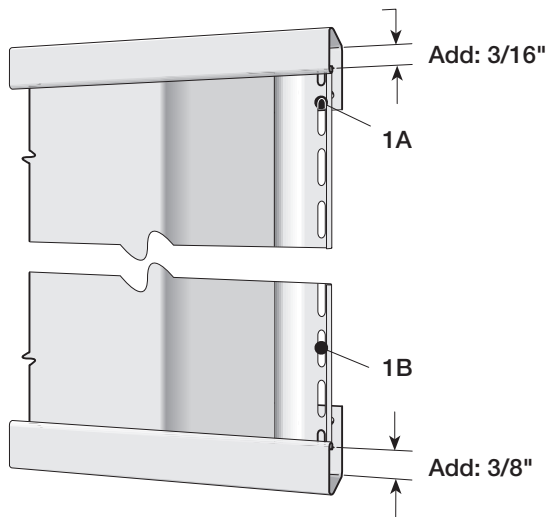
If using J-Channel: Snap a chalk line parallel to the bottom J-Channel, at a height equal to the length of the lower panel plus an allowance for expansion. Leave a 1/4" gap between J-Channel and cornerposts. Notch the J-Channel 1" and then overlap the J-Channels 3/4" on long runs requiring multiple pieces.

Prepare for the second course by applying head flashing above the just-installed J-Channel. Then fasten J-Channel over the flashing to receive the upper panel.

If using a H-Bar Trim or a double channel lineal: Measure the length of the lower panel, then subtract



**NOTE:** Some installers prefer to use formed aluminum flashing in place of vinyl drip cap as the receiving channel for the lower panel. This is an acceptable approach.



## Expansion and Contraction

In a vertical siding installation, most of the expansion is downward. So instead of allowing equal space for expansion at both ends of a vertical panel, leave more space at the lower end: allow for 1/3 (3/16") of the total expansion at the top of a panel and 2/3 (3/8") of the total expansion at the bottom.

**NOTE:** Always position fastener at the top of the topmost full nail slot (1a). Center the remaining fasteners in the slots (1b). When installing siding or accessories vertically, make sure the bottom of the panel can expand downward without interference.

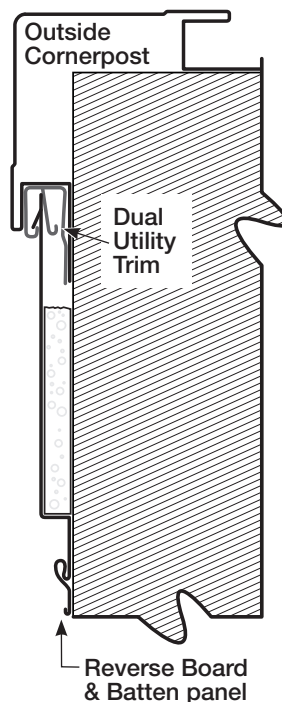
**NOTE:** When installing vertical siding in high wind areas, position the fasteners at the top two nail slots of the panel.

## Plan the Panel Layout

Correctly installed vertical siding should have a balanced appearance. This means that if you were to draw a vertical line down the center point of a wall, you'd have an equal number of panels to the right and left. If you had to trim panels to fit, the end-most panels would be of identical width.

To create this pleasing appearance, divide the space to be covered by a partial panel over both ends of a wall. For example, if a wall required 25 full panels plus 10", you would rip cut two 5" lengths of panel to create the end pieces.

Cut the first of the partial panels (if partial panels are necessary). Mark the cut line by measuring from the nail hem edge. Rip cut the panel. Do not cut off the nail hem. Remove 1-1/2" of foam from panel in order to snap lock punch to create locking tabs along the cut edge. Space the tabs 6" apart.

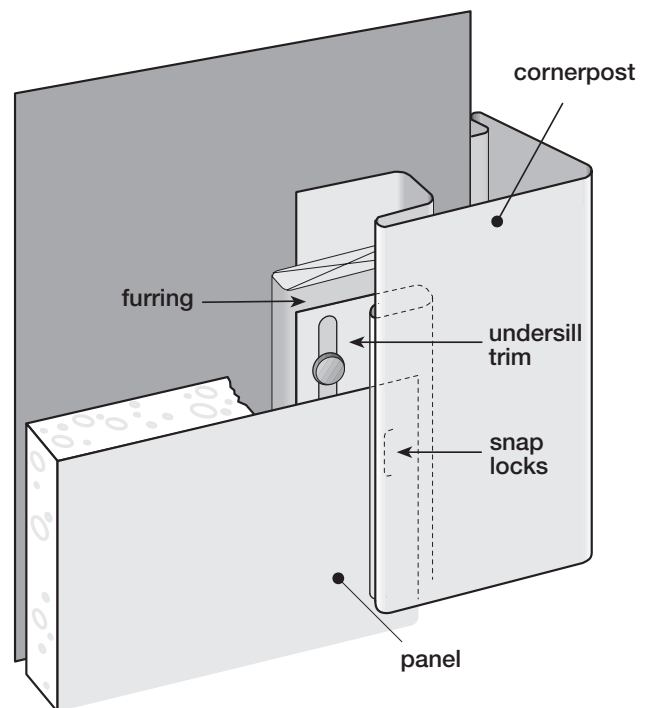


## Corner Details

We recommend using Dual Utility Trim inside the pocket of the Outside and Inside Cornerposts.

Another option is to use 3/8" J-Channel inside the pocket of the Outside and Inside Cornerposts, or lastly, to use the Undersill Trim.

If using Undersill Trim, insert furring into the channel of the outside cornerpost and fasten it to the substrate. After furring, insert a length of undersill trim into the cornerpost and fasten through the furring. Finally, slide the cut edge of the panel into the undersill trim, making sure to engage the snap locks (see illustration).



**NOTE:** When applying overlapping accessories, you may have to make new slots to avoid pinning the underlying accessory.

## Installing Panels

Using a level, make certain this panel is plumb. Install first fastener at top of first full nail slot and then fasten every 12" in the center of slots. Lock the next panel into the preceding panel and fasten in the same manner. The same rules used for fastening horizontal siding apply here as well, to allow for proper expansion and contraction.

When necessary, cut panels to fit around doors and windows. When marking the cut, remember to allow for expansion.

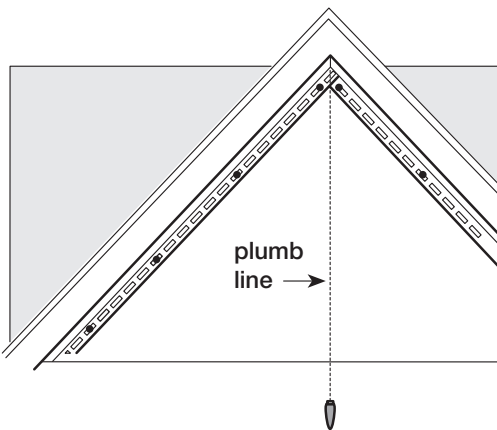
The method used to install panels around doors and windows is determined by the need to cut a panel and the position of that cut. If a cut was made in the full thickness of the panel, then insert the panel into the j-channel. If a cut was made on the flat section, install with Utility Trim and snap lock punch every 6".

To finish the first course of a wall, cut the final panel to size and install it in an outside cornerpost, one of the methods described above in "planning the panel layout"

**NOTE:** The cutting and supporting procedure described above is also used when fitting panels into inside cornerposts.

## Installing Gable End Panels

When installing vertical siding on a gable end wall, you should try to create a balanced appearance.



There are two ways to do this:

You can start from the center of the wall and work toward the sides. Begin by finding the center point of the wall (beneath the peak) and draw a plumb line. Fasten two lengths of J-Channel, back to back, along this line. The H-bar or Double Channel Lineal can also be used for this application. Be sure to flash underneath the J-Channel to help prevent water damage due to water seepage between the J-Channels. Cut the upper end of the first panel to the proper height and slope. Remember to allow for expansion.

**NOTE:** To guide the cutting of the upper end of the panel, make a pattern duplicating the gable slope.

Insert the panel into the J-Channel along the gable slope.

Use a level to make certain the panel is plumb. Continue to hang each panel from upper portion of topmost full nail slot and fasten every 12" on center. Continue cutting and installing panels. Then repeat the procedure on the remaining half of the gable end.

If you want to work from one end of the wall to the other, begin by centering a panel under the center of the peak. Mark the position of the panel on the wall, then measure the distance from the left (or right) cornerpost to mark for the left (or right) edge of the center panel.

If you need a partial panel, cut it and install it into the pocketed trim, following the procedure described in the installation manual. Cut the upper end of the panels to proper height and slope, following the procedure described above. Remember to allow for expansion.



### CertainTeed

CEILING • DECKING • FENCE • GYPSUM • INSULATION • RAILING • ROOFING • SIDING • TRIM

20 Moores Road, Malvern, PA 19355 Professional: 800-233-8990 Consumer: 800-782-8777 [certainteeted.com](http://certainteeted.com)