

## 8 PARTS LISTS

Each item number on the following parts lists can be matched with the item number shown on the corresponding assembly drawing as indicated below.

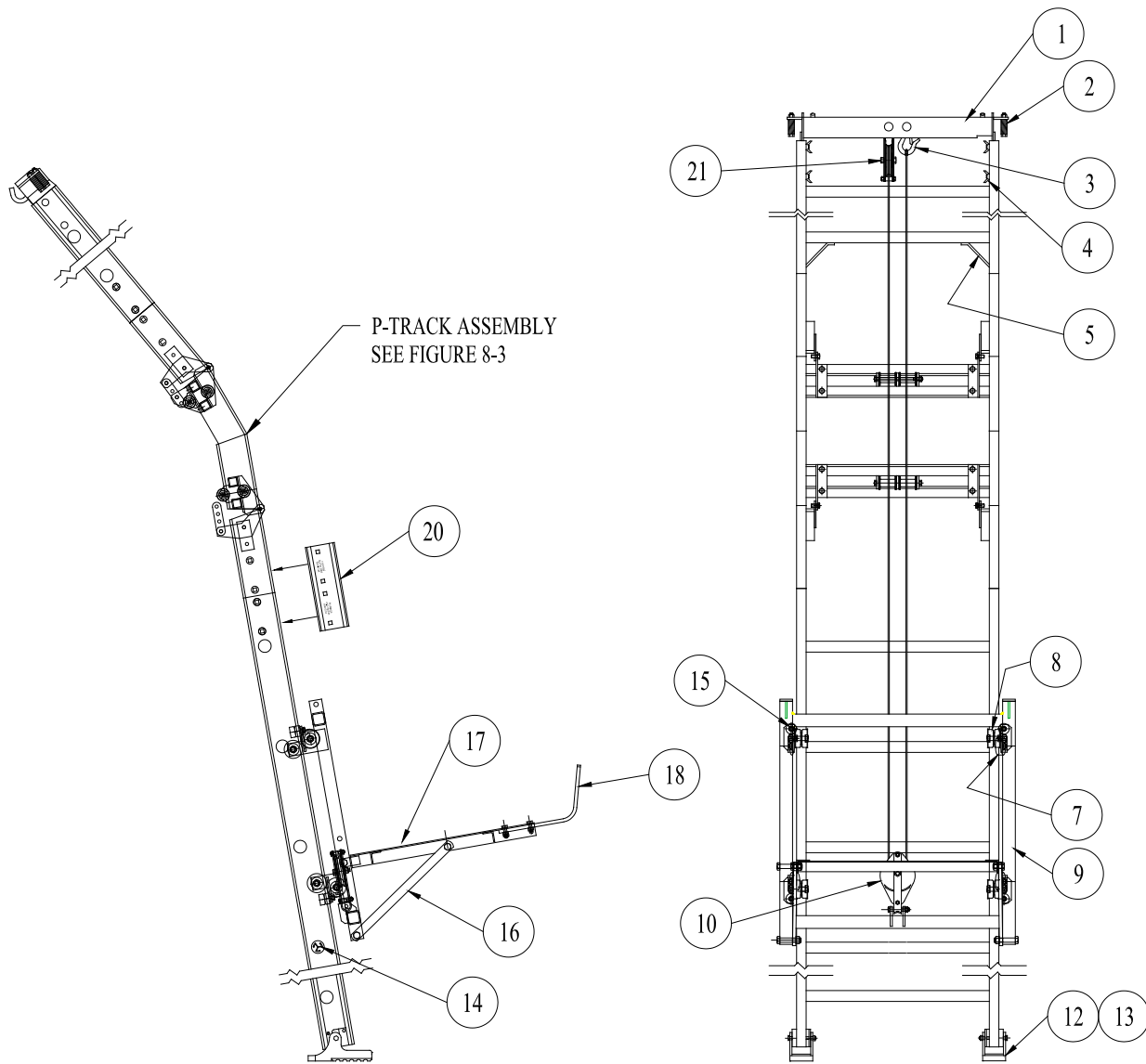
### 8.1 Refer to Figure 8-1 & 8-2 for items 1 thru 21.

Item Number	Part Number	Quantity	Description
1	0400574	1	TOP SHEAVE BRACKET WELDMENT
2	0400575	4	SPRING,BOLT, & NUT – TOP SHEAVE
3	7300653	1	SNAP SAFETY HOOK
	5803519	1	CARRIAGE BOLT
	5806370	1	LOCKNUT
	5806410	3	FLAT WASHER
4	0401424	1	TOP SHEAVE BRACKET MTG HDWR KIT consisting of: 4ea carriage bolt & wing nut
5	0420405		CROSS TIE BRACE*
	0401499	4	PIVOT BRACKET GUIDE ROLLER ASSY
7	0410218	4	PIVOTING HOIST PLATFORM TROLLEY WHEEL ASSY HD
	5806282	4	HEX HEAD CAP SCREW
	5806370	4	HEX NUT TOPLOCK
	5806454	4	FLAT WASHER SPACER
8	0400619	8	TROLLEY WHEEL
	5806454	4	FLAT WASHER SPACER
	5806285	4	HEX HEAD CAP SCREW
	5806370	4	HEX NUT TOPLOCK
	0410709	4	PIVOTING TRACK TROLLEY WHEEL SPACER
9	0410303	1	PIVOTING PLATFORM MAIN FRAME
10	7303600	1	SHEAVE
	5806251	1	HEX HEAD CAP SCREW
	0402170	1	SHEAVE SPACER
	5803517	1	HEX NUT CENTERLOCK
12	0420401	2	TRACK SWIVEL SHOE MTG BRKT*
13	0420402	2	TRACK SWIVEL SHOE*
14	0420403	2	CROSS TIE STIFFENER
15	0400826	8	GUIDE ROLLER WHEEL
	5806250	4	HEX HEAD CAP SCREW
	5806406	4	FLAT WASHER SAE
	5896406	16	FLAT SHIM WASHER
	5806368	4	HEX NUT TOPLOCK
16	0410533	2	PLATFORM DIAGONAL BRACE
	5806286	2	HEX HEAD CAP SCREW
	5806280	2	HEX HEAD CAP SCREW
	5806379	4	HEX NUT
17	0410306	1	PLATFORM FRAME
	5806286	2	HEX HEAD CAP SCREW

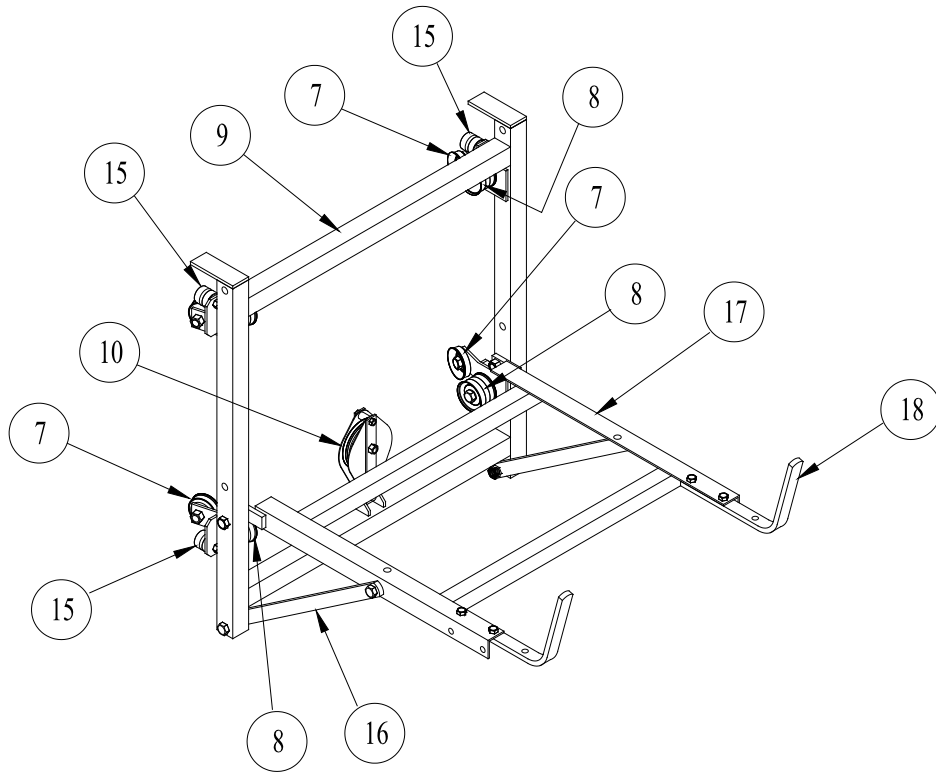
17 (cont'd)	5806370	2	HEX NUT TOPLOCK
	5806411	2	SHIM WASHER
18	0404218	2	PLATFORM STOP
	5806247	4	HEX HEAD CAP SCREW
	5806377	4	HEX NUT
20	0400828		TRACK SPLICE PLATE
	5800831		TRACK SPLICE PLATE NUT & BOLT 1ea.
	0482800		TRACK SPLICE PLATE KIT consisting of: 2 splice plates, 8 EA. Nut & bolt.
21	7303600	1	SHEAVE
	5806326	1	CARRIAGE BOLT
	5806370	1	HEX NUT TOPLOCK
	0401498		TRACK SWIVEL SHOE CONVERSION KIT* consisting of: 2 shoes & 2 mounting brackets.

8.2 Refer to Figure 8-3 for items 22 thru 31.

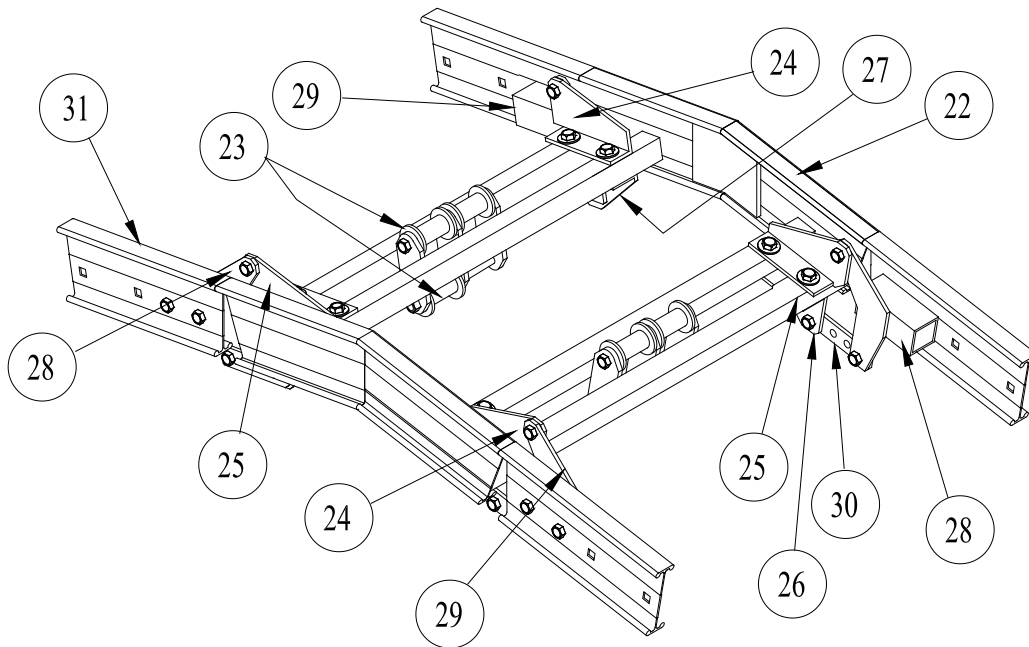
22	0410330	1	PIVOTING TRACK 400 MID-SECTION WELDMENT
23	7304104	6	CABLE GUIDE ROLLER
	5806267	4	HEX HEAD CAP SCREW 6"
	5806368	4	HEX NUT TOPLOCK
24	0410548	2	PIVOT HINGE ANGLE LH
	5806245	2	HEX HEAD CAP SCREW 3/4"
	5806368	2	HEX NUT TOPLOCK
25	0410551	2	PIVOT HINGE ANGLE RH
	5806245	2	HEX HEAD CAP SCREW 3/4"
	5806368	2	HEX NUT TOPLOCK
26	0410542	2	PIVOT ADJUST ANGLE LH
	5806251	4	HEX HEAD CAP SCREW 2"
	5806368	4	HEX NUT TOPLOCK
27	0410545	2	PIVOT ADJUST ANGLE RH
	5806251	4	HEX HEAD CAP SCREW 2"
	5806368	4	HEX NUT TOPLOCK
28	0410309	2	PIVOTING TRACK PIVOT HINGE WELDMENT LH
	5806368	4	HEX NUT TOPLOCK
	5806245	4	HEX HEAD CAP SCREW 3/4"
29	0410312	2	PIVOTING TRACK PIVOT HINGE WELDMENT RH
	5806245	4	HEX HEAD CAP SCREW 3/4"
	5806368	4	HEX NUT TOPLOCK
30	0410554	4	PIVOTING TRACK HINGE CONNECTING LINK
	5806245	8	HEX HEAD CAP SCREW 3/4"
	5806368	8	NEX NUT TOPLOCK
31	0410563	4	PIVOTING TRACK END SECTION RAIL



**Figure 8-1.**  
**Pivoting Platform Hoist Assembly Drawing**



**Figure 8-2.**  
**Pivoting Platform Assembly Drawing**



**Figure 8-3.**  
**Pivoting Track Assembly Drawing**